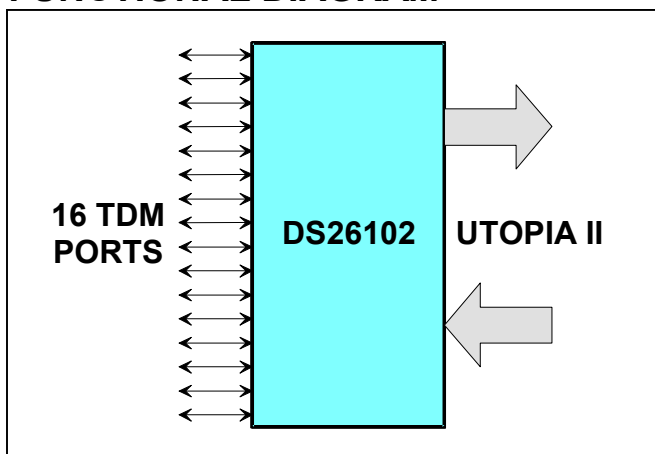


GENERAL DESCRIPTION

On the transmit side, the DS26102 receives ATM cells from an ATM device through a UTOPIA II interface, provides cell buffering (up to 4 cells), HEC generation and insertion, cell scrambling, and converts the data to a serial stream appropriate for interfacing to a T1/E1 framer or transceiver. On the receive side, the DS26102 receives a TDM stream from a T1/E1 framer or transceiver; searches for the cell alignment; verifies the HEC; provides cell filtering, descrambling, and cell buffering; and passes the cells to an ATM device through the UTOPIA II interface. Other low-level traffic management functions are selectable for the transmit and receive paths. The DS26102 can also be used in fractional T1/E1 applications.

The DS26102 maps ATM cells to T1/E1 TDM frames as per the ATM Forum Specifications af-phy-0016.000 and af-phy-0064.000. In the receive direction, the cell delineation mechanism used for finding ATM cell boundary within T1/E1 frame is performed as per ITU I.432. The DS26102 provides a mapping solution for up to 16 T1/E1 TDM ports. The terms physical layer (PHY) and line side are used synonymously in this document and refer to the device interfacing with the line side of the DS26102. The terms ATM layer and system side are used synonymously and refer to the DS26102's UTOPIA II interface.

FUNCTIONAL DIAGRAM



FEATURES

- Supports 16 T1/E1 TDM Ports
- Supports Fractional T1/E1
- Compliant to ATM Forum Specifications for ATM Over T1 and E1
- Standard UTOPIA II Interface to the ATM Layer
- Configurable UTOPIA Address Range
- Configurable Tx FIFO Depth to 2, 3, or 4 Cells
- Optional Payload Scrambling in Transmit Direction and Descrambling in Receive Direction per ITU I.432
- Optional HEC Insertion in Transmit Direction with Programmable COSET Polynomial Addition
- HEC-Based Cell Delineation
- Single-Bit HEC Error Correction in the Receive Direction
- Receive HEC-Errored Cell Filtering
- Receive Idle/Unassigned Cell Filtering
- User-Definable Cell Filtering
- 8-Bit Mux/Nonmux, Motorola/Intel Microprocessor Interface
- Internal Clock Generator Eliminates External High-Speed Clocks
- Internal One-Second Timer
- Detects/Reports Up to Eight External Status Signals with Interrupt Support
- IEEE 1149.1 JTAG Boundary Scan Support
- 17mm x 17mm, 256-Pin CSBGA

Features continued on page 5.

APPLICATIONS

DSLAMS
ATM Over T1/E1
Routers
IMA

ORDERING INFORMATION

PART	TEMP RANGE	PIN-PACKAGE
DS26102	-40°C to +85°C	256 CSBGA

Note: Some revisions of this device may incorporate deviations from published specifications known as errata. Multiple revisions of any device may be simultaneously available through various sales channels. For information about device errata, click here: www.maxim-ic.com/errata.

TABLE OF CONTENTS

1. FEATURES	5
2. APPLICABLE STANDARDS.....	5
3. ACRONYMS AND DEFINITIONS.....	6
4. BLOCK DIAGRAM.....	7
5. PIN DESCRIPTION	8
6. SIGNAL DEFINITIONS.....	12
6.1 TDM SIGNALS	12
6.2 UTOPIA-SIDE SIGNALS	12
6.3 MICROPROCESSOR AND SYSTEM INTERFACE SIGNALS	14
6.4 TEST AND JTAG SIGNALS	16
7. TRANSMIT OPERATION	17
7.1 UTOPIA-SIDE TRANSMIT—MUXED MODE WITH 1 TXCLAV	17
7.2 UTOPIA-SIDE TRANSMIT—DIRECT STATUS MODE (MULTITXCLAV)	19
7.3 TRANSMIT PROCESSING	20
7.4 PHYSICAL-SIDE TRANSMIT.....	21
8. RECEIVE OPERATION.....	23
8.1 PHYSICAL-SIDE RECEIVE.....	23
8.2 RECEIVE PROCESSING	25
8.3 UTOPIA-SIDE RECEIVE—MUXED MODE WITH 1 RXCLAV.....	27
8.4 UTOPIA-SIDE RECEIVE—DIRECT STATUS MODE (MULTIRXCLAV).....	28
9. REGISTER MAPPING.....	30
10. REGISTER DEFINITIONS.....	31
10.1 TRANSMIT REGISTERS	31
10.2 STATUS REGISTERS.....	35
10.3 RECEIVE REGISTERS	36
11. JTAG BOUNDARY SCAN ARCHITECTURE AND TEST ACCESS PORT.....	45
11.1 INSTRUCTION REGISTER.....	48
11.2 TEST REGISTERS.....	49
12. OPERATING PARAMETERS.....	52
13. CRITICAL TIMING INFORMATION.....	53
14. THERMAL INFORMATION	59
15. APPLICATIONS INFORMATION	60
15.1 APPLICATION IN ATM USER-NETWORK INTERFACES	60
15.2 INTERFACING WITH FRAMERS	60
15.3 FRACTIONAL T1/E1 SUPPORT	61
16. PACKAGE INFORMATION.....	62
17. REVISION HISTORY.....	64

TABLE OF FIGURES

Figure 4-1. Block Diagram	7
Figure 7-1. Polling Phase and Selection Phase at Transmit Interface.....	18
Figure 7-2. End and Restart of Cell at Transmit Interface	18
Figure 7-3. Transmission to PHY Paused for Three Cycles	19
Figure 7-4. Example of Direct Status Indication, Transmit Direction	20
Figure 7-5. Transmit Cell Flow and Processing	21
Figure 7-6. Transmit Framer Interface in TFP Mode for T1.....	22
Figure 7-7. Transmit Framer Interface in Gapped-Clock Mode for T1	22
Figure 7-8. Transmit Framer Interface in TFP Mode for E1.....	22
Figure 7-9. Transmit Framer Interface in Gapped-Clock Mode for E1.....	23
Figure 8-1. Receive Framer Interface in RFP Mode for T1	24
Figure 8-2. Receive Framer Interface in Gapped-Clock Mode for T1	24
Figure 8-3. Receive Framer Interface in RFP Mode for E1	25
Figure 8-4. Receive Framer Interface in Gapped-Clock Mode for E1.....	25
Figure 8-5. Cell Delineation State Diagram.....	26
Figure 8-6. Header Correction State Machine.....	26
Figure 8-7. Polling Phase and Selection at Receive Interface.....	27
Figure 8-8. End and Restart of Cell Transmission at Receive Interface	28
Figure 8-9. Example Direct Status Indication, Receive Direction	29
Figure 10-1. Accessing Tx PMON Counter	34
Figure 10-2. Accessing Rx PMON Counters.....	40
Figure 11-1. JTAG Functional Block Diagram.....	45
Figure 11-2. TAP Controller State Diagram	47
Figure 13-1. Intel Bus Read Timing (BTS = 0/MUX = 1)	53
Figure 13-2. Intel Bus Write Timing (BTS = 0/MUX = 1)	54
Figure 13-3. Motorola Bus Timing (BTS = 1/MUX = 1).....	54
Figure 13-4. Intel Bus Read Timing (BTS = 0/MUX = 0)	55
Figure 13-5. Intel Bus Write Timing (BTS = 0/MUX = 0)	56
Figure 13-6. Motorola Bus Read Timing (BTS = 1/MUX = 0)	56
Figure 13-7. Motorola Bus Write Timing (BTS = 1/MUX = 0)	56
Figure 13-8. Setup/Hold Time Definition	58
Figure 13-9. Delay Time Definition	58
Figure 13-10. JTAG Interface Timing Diagram	58
Figure 15-1. User-Network Interface Application	60
Figure 15-2. DS26102 Interfacing with Dallas Framer in Framing-Pulse Mode	61

LIST OF TABLES

Table 5-A. Pin Description List	8
Table 9-A. Register Map.....	30
Table 11-A. Instruction Codes for IEEE 1149.1 Architecture.....	48
Table 11-B. ID Code Structure	48
Table 11-C. Device ID Codes	48
Table 11-D. Boundary Scan Control Bits	49
Table 13-A. AC Characteristics—Multiplexed Parallel Port (MUX = 1).....	53
Table 13-B. AC Characteristics—Nonmultiplexed Parallel Port (MUX = 1)	55
Table 13-C. Framer Interface AC Characteristics	57
Table 13-D. UTOPIA Transmit AC Characteristics	57
Table 13-E. UTOPIA Receive AC Characteristics.....	57
Table 13-F. JTAG Interface Timing.....	58
Table 13-G. System Clock AC Characteristics.....	59
Table 14-A. Thermal Properties, Natural Convection.....	59
Table 14-B. Theta-JA (θ_{JA}) vs. Airflow.....	59
Table 15-A. Suggested Clock Edge Configurations	61
Table 15-B. Fractional T1/E1 Register Settings	61

1. FEATURES

- Supports 16 T1/E1 Ports
- Supports Fractional T1/E1 and Arbitrary Bit Rates in Multiples of 64kbps (DS0/TS) Up to 2.048Mbps
- Supports Clear E1
- Compliant to the ATM Forum Specifications for ATM Over T1 and E1
- Standard UTOPIA II Interface to the ATM Layer
- Configurable UTOPIA Address Range
- Generic 8-Bit Asynchronous Microprocessor Interface for Configuration and Status Indications Including Interrupt Capability
- Physical Layer Interface Can Accept T1/E1 TDM Stream in the Form of Either (1) Clock, Data, and Frame-Overhead Indication or (2) Gapped Clock (Gapped at Overhead Positions in the Frame) and Data
- Selectable Active Clock Edge for Interface with the T1/E1 Framer
- Supports Diagnostic Loopback
- Optional Payload Scrambling in Transmit Direction and Descrambling in Receive Direction as per the ITU I.432 for the Cell-Based Physical Layer
- Optional HEC Insertion in Transmit Direction with Programmable COSET Polynomial Addition
- Option of Using Either Idle or Unassigned Cells for Cell-Rate Decoupling in Transmit Direction
- 1-Byte Programmable Pattern for Payload of Cells Used for Cell-Rate Decoupling
- Tx FIFO Depth Configurable to Either 2, 3, or 4 Cells
- Transmit FIFO Depth Indication for 2-Cell Space Through External Pins
- Optional Single-Bit HEC Error Insertion
- HEC-Based Cell Delineation as per I.432
- Optional Single-Bit HEC Error Correction in the Receive Direction
- Optional Filtering of HEC-Errored Cells Received
- Optional Receive Idle/Unassigned Cell Filtering
- Optional User-Defined Cell Filtering Based on Programmable Header Bits
- Programmable Loss-Of-Cell Delineation (LCD) Integration and Interrupt
- Interrupt for FIFO Overrun in Receive Direction
- Saturating Counts for (1) Number of Error-Free Assigned Cells Received and Transmitted and (2) Number of Correctable and Uncorrectable HEC-Errored Cells Received
- Selectable Internally Generated Clock (System Clock Divided by 8) in Diagnostic Loopback Mode
- Integrated PLL Generates High-Frequency Clocks
- IEEE 1149.1 JTAG Boundary Scan Support

2. APPLICABLE STANDARDS

[1] ATM Forum “DS1 Physical Layer Specification,” af-phy-0016.000, September 1994

[2] ATM Forum “E1 Physical Layer Specification,” af-phy-0064.000, September 1996

[3] ATM Forum “UTOPIA Level 2 Specification,” Version 1.0, af-phy-0039.000, June 1995

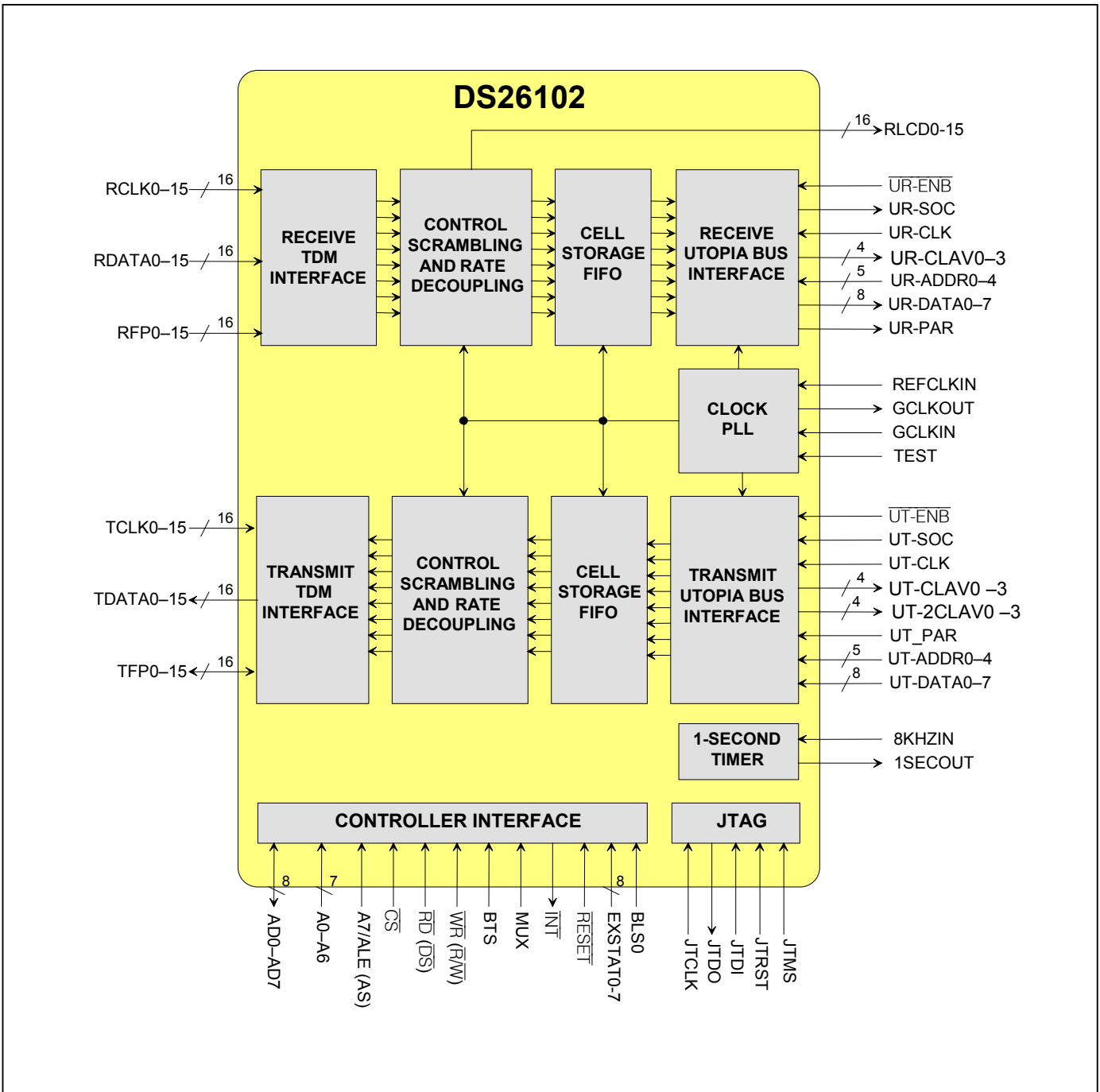
[4] B-ISDN User-Network Interface—Physical Layer Specification—ITU-T Recommendation I.432—3/93

3. ACRONYMS AND DEFINITIONS

ACRONYM	DESCRIPTION
ATM	Asynchronous Transfer Mode
CRC	Cyclic Redundancy Check
DPRAM	Dual Port Random Access Memory
FIFO	First In, First Out (Memory)
HEC	Header Error Check
IMA	Inverse Multiplexing for ATM
μP	Microprocessor
μs	Microsecond
LCD	Loss-of-Cell Delineation
ms	Millisecond
OAM	Operations Administration and Maintenance
OCD	Out-of-Loss Delineation
PMON	Performance Monitoring
Rx	Receive
DS0	Each 64kbps Channel in DS1 Frame
TS	Each 64kbps Channel in E1 Frame (Time Slot)
Tx	Transmit
UTOPIA	Universal Test and Operations PHY Interface for ATM

4. BLOCK DIAGRAM

Figure 4-1. Block Diagram



5. PIN DESCRIPTION

Table 5-A. Pin Description List

PIN	NAME	I/O	FUNCTION
J13	1SECOUT	O	One-Second Reference
J12	8KHZIN	I	8kHz Clock for One-Second Timer
F16	A0	I	μ P Address Bus Bit 0
F13	A1	I	μ P Address Bus Bit 1
F12	A2	I	μ P Address Bus Bit 2
G15	A3	I	μ P Address Bus Bit 3
G14	A4	I	μ P Address Bus Bit 4
G16	A5	I	μ P Address Bus Bit 5
G13	A6	I	μ P Address Bus Bit 6
G12	A7/ALE (AS)	I	μ P Address Bus Bit 7 (Note 1)
C14	BLS0	I	Block Select 0
C16	BTS	I	Bus Type Select (0 = Intel)
D14	\overline{CS}	I	Chip Select (Active Low)
D16	D0/AD0	I/O	μ P Data 0/Address/Data 0
E15	D1/AD1	I/O	μ P Data 1/Address/Data 1
E14	D2/AD2	I/O	μ P Data 2/Address/Data 2
E16	D3/AD3	I/O	μ P Data 3/Address/Data 3
E13	D4/AD4	I/O	μ P Data 4/Address/Data 4
E12	D5/AD5	I/O	μ P Data 5/Address/Data 5
F15	D6/AD6	I/O	μ P Data 6/Address/Data 6
F14	D7/AD7	I/O	μ P Data 7/Address/Data 7
J16	EXSTAT0	I	External Status Input
J14	EXSTAT1	I	External Status Input
J15	EXSTAT2	I	External Status Input
H12	EXSTAT3	I	External Status Input
H13	EXSTAT4	I	External Status Input
H16	EXSTAT5	I	External Status Input
H14	EXSTAT6	I	External Status Input
H15	EXSTAT7	I	External Status Input
K13	GCLKIN	I	High-Frequency Clock Input
K12	GCLKOUT	O	High-Frequency Clock Output
B16	\overline{INT}	O	Interrupt Signal (Active Low) (Note 2)
P16	JTCLK	I	IEEE 1149.1 Test Clock
N16	JTDI	I	IEEE 1149.1 Test Data Input
N15	JTDO	O	IEEE 1149.1 Test Data Output
P15	JTMS	I	IEEE 1149.1 Test Mode Select
N14	JTRST	I	IEEE 1149.1 Reset
C15	MUX	I	Bus Mode Select (0 = Nonmuxed)
A1, A15, A16, B1, B2, B15, C1, C2, L16, P3, R1, R2, R15, R16, T1, T2, T16	N.C.	—	No Connect
A14	RCLK0	I	Rx Line Clock for Port 0
B13	RCLK1	I	Rx Line Clock for Port 1
N8	RCLK11	I	Rx Line Clock for Port 11
P7	RCLK10	I	Rx Line Clock for Port 10
R8	RCLK12	I	Rx Line Clock for Port 12
T9	RCLK13	I	Rx Line Clock for Port 13
M10	RCLK14	I	Rx Line Clock for Port 14
P10	RCLK15	I	Rx Line Clock for Port 15
C12	RCLK2	I	Rx Line Clock for Port 2
D11	RCLK3	I	Rx Line Clock for Port 3
B11	RCLK4	I	Rx Line Clock for Port 4
A10	RCLK5	I	Rx Line Clock for Port 5
E9	RCLK6	I	Rx Line Clock for Port 6
C9	RCLK7	I	Rx Line Clock for Port 7

PIN	NAME	I/O	FUNCTION
T6	RCLK8	I	Rx Line Clock for Port 8
M7	RCLK9	I	Rx Line Clock for Port 9
D15	RD (DS)	I	Read Enable (Active Low)
B14	RDATA0	I	Rx Line Serial Data for Port 0
A13	RDATA1	I	Rx Line Serial Data for Port 1
T7	RDATA10	I	Rx Line Serial Data for Port 10
M8	RDATA11	I	Rx Line Serial Data for Port 11
P8	RDATA12	I	Rx Line Serial Data for Port 12
N9	RDATA13	I	Rx Line Serial Data for Port 13
R9	RDATA14	I	Rx Line Serial Data for Port 14
T10	RDATA15	I	Rx Line Serial Data for Port 15
A12	RDATA2	I	Rx Line Serial Data for Port 2
E11	RDATA3	I	Rx Line Serial Data for Port 3
C11	RDATA4	I	Rx Line Serial Data for Port 4
D10	RDATA5	I	Rx Line Serial Data for Port 5
B10	RDATA6	I	Rx Line Serial Data for Port 6
A9	RDATA7	I	Rx Line Serial Data for Port 7
N6	RDATA8	I	Rx Line Serial Data for Port 8
R6	RDATA9	I	Rx Line Serial Data for Port 9
L15	REFCLKIN	I	1.544MHz/2.048MHz Reference Clock
L14	RESET	I	Device Reset (Active Low)
C13	RFP0	I	Rx Frame Pulse for Port 0
D12	RFP1	I	Rx Frame Pulse for Port 1
R7	RFP10	I	Rx Frame Pulse for Port 10
T8	RFP11	I	Rx Frame Pulse for Port 11
M9	RFP12	I	Rx Frame Pulse for Port 12
P9	RFP13	I	Rx Frame Pulse for Port 13
N10	RFP14	I	Rx Frame Pulse for Port 14
R10	RFP15	I	Rx Frame Pulse for Port 15
B12	RFP2	I	Rx Frame Pulse for Port 2
A11	RFP3	I	Rx Frame Pulse for Port 3
E10	RFP4	I	Rx Frame Pulse for Port 4
C10	RFP5	I	Rx Frame Pulse for Port 5
D9	RFP6	I	Rx Frame Pulse for Port 6
B9	RFP7	I	Rx Frame Pulse for Port 7
P6	RFP8	I	Rx Frame Pulse for Port 8
N7	RFP9	I	Rx Frame Pulse for Port 9
N1	RLCD0	O	Rx Loss-of-Cell Delineation Port 0
N2	RLCD1	O	Rx Loss-of-Cell Delineation Port 1
R4	RLCD10	O	Rx Loss-of-Cell Delineation Port 10
N5	RLCD11	O	Rx Loss-of-Cell Delineation Port 11
T5	RLCD12	O	Rx Loss-of-Cell Delineation Port 12
P5	RLCD13	O	Rx Loss-of-Cell Delineation Port 13
R5	RLCD14	O	Rx Loss-of-Cell Delineation Port 14
M6	RLCD15	O	Rx Loss-of-Cell Delineation Port 15
N4	RLCD2	O	Rx Loss-of-Cell Delineation Port 2
N3	RLCD3	O	Rx Loss-of-Cell Delineation Port 3
P1	RLCD4	O	Rx Loss-of-Cell Delineation Port 4
P2	RLCD5	O	Rx Loss-of-Cell Delineation Port 5
R3	RLCD6	O	Rx Loss-of-Cell Delineation Port 6
T3	RLCD7	O	Rx Loss-of-Cell Delineation Port 7
P4	RLCD8	O	Rx Loss-of-Cell Delineation Port 8
T4	RLCD9	O	Rx Loss-of-Cell Delineation Port 9
J3	UR_ADDR0	I	Rx UTOPIA Address 0 (LSB)
J1	UR_ADDR1	I	Rx UTOPIA Address 1
J4	UR_ADDR2	I	Rx UTOPIA Address 2
J5	UR_ADDR3	I	Rx UTOPIA Address 3
H2	UR_ADDR4	I	Rx UTOPIA Address 4 (MSB)

PIN	NAME	I/O	FUNCTION
M5	UR_CLAV0	O	Rx UTOPIA Cell Available 0
M4	UR_CLAV1	O	Rx UTOPIA Cell Available 1
M1	UR_CLAV2	O	Rx UTOPIA Cell Available 2
M3	UR_CLAV3	O	Rx UTOPIA Cell Available 3
K5	UR_CLK	I	Rx UTOPIA Clock
L3	UR_DATA0	O	Rx UTOPIA Data Bus 0 (LSB)
L1	UR_DATA1	O	Rx UTOPIA Data Bus 1
L4	UR_DATA2	O	Rx UTOPIA Data Bus 2
L5	UR_DATA3	O	Rx UTOPIA Data Bus 3
K2	UR_DATA4	O	Rx UTOPIA Data Bus 4
K3	UR_DATA5	O	Rx UTOPIA Data Bus 5
K1	UR_DATA6	O	Rx UTOPIA Data Bus 6
K4	UR_DATA7	O	Rx UTOPIA Data Bus 7 (MSB)
J2	UR_ENB	I	Rx UTOPIA Enable (Active Low)
M2	UR_PAR	O	Rx UTOPIA Parity Bit
L2	UR_SOC	O	Rx UTOPIA Start of Cell
D8	TCLK0	I	Tx Line Clock for Port 0
B8	TCLK1	I	Tx Line Clock for Port 1
T12	TCLK10	I	Tx Line Clock for Port 10
T13	TCLK11	I	Tx Line Clock for Port 11
P13	TCLK12	I	Tx Line Clock for Port 12
P14	TCLK13	I	Tx Line Clock for Port 13
M16	TCLK14	I	Tx Line Clock for Port 14
L12	TCLK15	I	Tx Line Clock for Port 15
A7	TCLK2	I	Tx Line Clock for Port 2
E6	TCLK3	I	Tx Line Clock for Port 3
C6	TCLK4	I	Tx Line Clock for Port 4
D5	TCLK5	I	Tx Line Clock for Port 5
B5	TCLK6	I	Tx Line Clock for Port 6
D4	TCLK7	I	Tx Line Clock for Port 7
N11	TCLK8	I	Tx Line Clock for Port 8
R11	TCLK9	I	Tx Line Clock for Port 9
E8	TDATA0	O	Tx Line Serial Data for Port 0
C8	TDATA1	O	Tx Line Serial Data for Port 1
N12	TDATA10	O	Tx Line Serial Data for Port 10
R12	TDATA11	O	Tx Line Serial Data for Port 11
N13	TDATA12	O	Tx Line Serial Data for Port 12
R14	TDATA13	O	Tx Line Serial Data for Port 13
M13	TDATA14	O	Tx Line Serial Data for Port 14
M15	TDATA15	O	Tx Line Serial Data for Port 15
D7	TDATA2	O	Tx Line Serial Data for Port 2
B7	TDATA3	O	Tx Line Serial Data for Port 3
A6	TDATA4	O	Tx Line Serial Data for Port 4
E5	TDATA5	O	Tx Line Serial Data for Port 5
C5	TDATA6	O	Tx Line Serial Data for Port 6
B4	TDATA7	O	Tx Line Serial Data for Port 7
M11	TDATA8	O	Tx Line Serial Data for Port 8
P11	TDATA9	O	Tx Line Serial Data for Port 9
K16	TEST	I	Test Control
A8	TFP0	I/O	Tx Frame Pulse for Port 0
E7	TFP1	I/O	Tx Frame Pulse for Port 1
P12	TFP10	I/O	Tx Frame Pulse for Port 10
R13	TFP11	I/O	Tx Frame Pulse for Port 11
T14	TFP12	I/O	Tx Frame Pulse for Port 12
T15	TFP13	I/O	Tx Frame Pulse for Port 13
M14	TFP14	I/O	Tx Frame Pulse for Port 14
L13	TFP15	I/O	Tx Frame Pulse for Port 15
C7	TFP2	I/O	Tx Frame Pulse for Port 2

PIN	NAME	I/O	FUNCTION
D6	TFP3	I/O	Tx Frame Pulse for Port 3
B6	TFP4	I/O	Tx Frame Pulse for Port 4
A5	TFP5	I/O	Tx Frame Pulse for Port 5
A4	TFP6	I/O	Tx Frame Pulse for Port 6
C4	TFP7	I/O	Tx Frame Pulse for Port 7
T11	TFP8	I/O	Tx Frame Pulse for Port 8
M12	TFP9	I/O	Tx Frame Pulse for Port 9
G1	UT_2CLAV0	O	Tx UTOPIA 2 Cells Available 0
H4	UT_2CLAV1	O	Tx UTOPIA 2 Cells Available 1
H1	UT_2CLAV2	O	Tx UTOPIA 2 Cells Available 2
H3	UT_2CLAV3	O	Tx UTOPIA 2 Cells Available 3
D3	UT_ADDR0	I	Tx UTOPIA Address 0 (LSB)
A2	UT_ADDR1	I	Tx UTOPIA Address 1
C3	UT_ADDR2	I	Tx UTOPIA Address 2
B3	UT_ADDR3	I	Tx UTOPIA Address 3
A3	UT_ADDR4	I	Tx UTOPIA Address 4 (MSB)
G4	UT_CLAV0	O	Tx UTOPIA Cell Available 0
G3	UT_CLAV1	O	Tx UTOPIA Cell Available 1
G2	UT_CLAV2	O	Tx UTOPIA Cell Available 2
H5	UT_CLAV3	O	Tx UTOPIA Cell Available 3
F2	UT_CLK	I	Tx UTOPIA Clock
F1	UT_DATA0	I	Tx UTOPIA Data Bus 0 (LSB)
F4	UT_DATA1	I	Tx UTOPIA Data Bus 1
F5	UT_DATA2	I	Tx UTOPIA Data Bus 2
E2	UT_DATA3	I	Tx UTOPIA Data Bus 3
E3	UT_DATA4	I	Tx UTOPIA Data Bus 4
E1	UT_DATA5	I	Tx UTOPIA Data Bus 5
E4	UT_DATA6	I	Tx UTOPIA Data Bus 6
D2	UT_DATA7	I	Tx UTOPIA Data Bus 7 (MSB)
D1	UT_ENB	I	Tx UTOPIA Enable (Active Low)
G5	UT_PAR	I	Tx UTOPIA Parity Bit
F3	UT_SOC	I	Tx UTOPIA Start of Cell
F8, F9, G8, G9, H6, H7, H10, H11, J6, J7, J10, J11, K8, K9, L8, L9	VDD	—	Positive Supply
F6, F7, F10, F11, G6, G7, G10, G11, H8, H9, J8, J9, K6, K7, K10, K11, K14, K15, L6, L7, L10, L11	VSS	—	Ground
D13	\overline{WR} ($\overline{R/\overline{W}}$)	I	Write Enable (Active Low)

Note 1: Address-latch enable for muxed bus.

Note 2: Open-drain output.

6. SIGNAL DEFINITIONS

6.1 TDM Signals

Signal Name: **RCLK0–15**
 Signal Description: **Receive Line Clock (Ports 0 to 15)**
 Signal Type: **Input**

The physical layer device uses the RCLK input to latch the RDATA and RFP signals. RDATA and RFP are sampled by the receive section of the DS26102 at either the positive edge or negative edge of RCLK, as controlled by the RAES (RCR2.2) control bit. RCLK is gapped during nonactive and framing bit positions in gapped-clock mode (RPLIM = 1). RCLK should be glitch-free.

Signal Name: **RDATA0–15**
 Signal Description: **Receive Line Data (Ports 0 to 15)**
 Signal Type: **Input**

The RDATA input carries the receive bit stream. If the RCLK is gapped at framing bit positions, RDATA is then sampled at every RCLK tick. If RCLK is not gapped and RFP is used to indicate framing bit positions, the RDATA bits that are not associated with framing-overhead bits are sampled and cell delineated. In clear E1, RDATA is sampled at every RCLK tick.

Signal Name: **RFP0–15**
 Signal Description: **Receive Frame Pulse (Ports 0 to 15)**
 Signal Type: **Input**

This active-high signal indicates the framing-overhead bit positions corresponding to RDATA. For T1/E1, this aligns with the first bit of the T1/E1 frame. For T1, RDATA coming at the RFP position is ignored. For E1, RFP is used to identify TS0 (RFP position is bit 0 of TS0) and TS16 locations, and RDATA coming at these slots are ignored. In clear E1, RFP is ignored. In frame-pulse mode, the RFP should come once every 125µs.

Signal Name: **TCLK0–15**
 Signal Description: **Transmit Line Clock (Ports 0 to 15)**
 Signal Type: **Input**

The TCLK input is used by the DS26102's transmit section to launch TDATA and TFP (when configured as an output) at either positive edge or negative edge, as controlled by the TAES (TCR2.2) control bit.

Signal Name: **TDATA0–15**
 Signal Description: **Transmit Line Data (Ports 0 to 15)**
 Signal Type: **Output**

The TDATA output carries the transmit bit stream. ATM layer data bits are not transmitted during framing/overhead bit locations. TDATA is output at the TCLK configured active edge.

Signal Name: **TFP0–15**
 Signal Description: **Transmit Frame Pulse (Ports 0 to 15)**
 Signal Type: **Input/Output**

This active-high signal can be set as an input or an output by using the TFSD (TCR2.0) control bit. TFP indicates the frame-overhead bit positions corresponding to TDATA. For T1/E1, this signal aligns with the first bit of the T1/E1 frame. For T1, TDATA coming at the TFP position does not contain valid data bit. For E1, TFP is used to identify TS0 (TFP position is bit 0 of TS0) and TS16. TDATA does not contain valid data at these locations. After $\overline{\text{RESET}}$, the DS26102 is configured to use this signal as an input. In frame-pulse mode, the TFP should occur once every 125µs.

6.2 UTOPIA-Side Signals

Signal Name: **UR_CLK**
 Signal Description: **Receive UTOPIA Clock**
 Signal Type: **Input**

This clock is used to register and control all other UTOPIA signals on the receive side.

Signal Name: **UR_ADDR[4:0]**
 Signal Description: **Receive UTOPIA Address**
 Signal Type: **Input**

The ATM layer drives this 5-bit UTOPIA address bus to select the appropriate UTOPIA port. UR_ADDR4 is the MSB and UR_ADDR0 is the LSB.

Signal Name: **$\overline{\text{UR_ENB}}$**
 Signal Description: **Receive UTOPIA Enable**
 Signal Type: **Input**

The ATM layer asserts this active-low signal to indicate that UR_DATA and UR_SOC are sampled at the end of the next cycle.

Signal Name: **UR_SOC**
 Signal Description: **Receive UTOPIA Start of Cell**
 Signal Type: **Output**

The DS26102 asserts this active-high, tri-statable signal when UR_DATA contains the first valid byte of a cell. UR_SOC is enabled only in cycles following those with $\overline{\text{UR_ENB}}$ asserted while a cell transfer is in progress.

Signal Name: **UR_DATA[7:0]**
 Signal Description: **Receive UTOPIA Data Bus**
 Signal Type: **Output**

The DS26102 drives this byte-wide data bus in response to the selection of one of the UTOPIA ports by the ATM layer for cell transfer. This bus is three-statable, and is enabled only in cycles following those that have $\overline{\text{UR_ENB}}$ asserted and a cell transfer in progress for a port. UR_DATA7 is the MSB and UR_DATA0 is the LSB.

Signal Name: **UR_CLAV[3:0]**
 Signal Description: **Receive UTOPIA Cell Available**
 Signal Type: **Output**

The active-high UR_CLAV signals are asserted if a complete cell is available for transfer to the ATM layer for the polled port. If UR_ADDR does not match any of the UTOPIA port addresses, this signal is tri-stated. UR_CLAV0 is driven in multiplexed with 1 CLAV polling mode as well as direct status mode for port 1. UR_CLAV3, UR_CLAV2, and UR_CLAV1 are driven only in direct status mode for ports 4, 3, and 2, respectively.

Signal Name: **UR_PAR**
 Signal Description: **Receive UTOPIA Parity Bit**
 Signal Type: **Output**

This three-statable signal allows for parity error checking, as calculated for the 8-bits of the UR_DATA bus, and can represent odd or even parity as determined by the receive parity select bit (RPS) in RCR1.

Signal Name: **UT_CLK**
 Signal Description: **Transmit UTOPIA Clock**
 Signal Type: **Input**

This clock is used to register and control the UTOPIA signals on the transmit side.

Signal Name: **UT_ADDR[4:0]**
 Signal Description: **Transmit UTOPIA Address**
 Signal Type: **Input**

The ATM layer drives this 5-bit-wide bus to poll and select the appropriate UTOPIA port. UT_ADDR4 is the MSB and UT_ADDR0 is the LSB.

Signal Name: **$\overline{\text{UT_ENB}}$**
 Signal Description: **Transmit UTOPIA Enable**
 Signal Type: **Input**

The ATM layer asserts this active-low enable signal during cycles when UT_DATA contains valid cell data.

Signal Name: **UT_SOC**
 Signal Description: **Transmit UTOPIA Start of Cell**
 Signal Type: **Input**
 The ATM layer asserts this active-high signal when UT_DATA contains the first valid byte of the cell.

Signal Name: **UT_DATA[7:0]**
 Signal Description: **Transmit UTOPIA Data Bus**
 Signal Type: **Input**
 The ATM layer drives this byte-wide true data to one of the selected ports. UT_DATA7 is the MSB and UT_DATA0 is the LSB.

Signal Name: **UT_CLAV[3:0]**
 Signal Description: **Transmit UTOPIA Cell Available**
 Signal Type: **Output**
 The DS26102 asserts this active-high UT_CLAV signal if it has cell space available to accommodate a complete cell from the ATM layer to the polled port. If UT_ADDR does not match with any one of the UTOPIA port addresses, this signal is tri-stated. UT_CLAV0 is driven in multiplexed with 1 CLAV polling mode as well as direct status mode for port 1. UT_CLAV3, UT_CLAV2, and UT_CLAV1 are driven only in direct status mode for ports 4, 3, and 2, respectively.

Signal Name: **UT_2CLAV[3:0]**
 Signal Description: **Transmit UTOPIA 2 Cells Available**
 Signal Type: **Output**
 The DS26102 asserts this active-high UT_2CLAV signal if it has cell space available to accommodate two complete cells from the ATM layer. If UT_ADDR does not match with any one of the UTOPIA port addresses, this signal is tri-stated. UT_2CLAV0 is driven in multiplexed with 2 CLAV polling mode as well as direct status mode for port 1. UT_2CLAV3, UT_2CLAV2, and UT_2CLAV1 are driven only in direct status mode for ports 4, 3, and 2, respectively.

Signal Name: **UT_PAR**
 Signal Description: **Transmit UTOPIA Parity Bit**
 Signal Type: **Input**
 This signal is used for parity checking as calculated for the 8 bits of the UT_DATA bus. Transmit parity errors are reported in the port status register (PSR) at bit 6. This bit can represent odd or even parity, as determined by the transmit parity select (TPRS) bit in TCR1.

6.3 Microprocessor and System Interface Signals

Signal Name: **A[6:0]**
 Signal Description: **Microprocessor Address Bus**
 Signal Type: **Input**
 This bus selects a specific register in the DS26102 during read/write access. A7 is the MSB and A0 is the LSB. A7 is also used as the address latch enable (ALE/AS) during multiplexed bus operation (MUX = 1).

Signal Name: **A7/ALE (AS)**
 Signal Description: **Address Latch Enable (Address Strobe) or A7**
 Signal Type: **Input**
 In nonmultiplexed bus operation (MUX = 0), the ALE serves as the upper address bit. In multiplexed bus operation (MUX = 1), it serves to demultiplex the bus on a positive-going edge.

Signal Name: **D[7:0]/AD[7:0]**
 Signal Description: **Microprocessor Data Bus**
 Signal Type: **Input/Output**
 This 8-bit, bidirectional data bus is used for read/write access of the DS26102's information and control registers. D7/AD7 is the MSB and D0/AD0 is the LSB. This bus also carries address information during multiplexed operation (MUX = 1).

Signal Name: \overline{CS}
 Signal Description: **Chip Select**
 Signal Type: **Input**

This active-low signal is used to qualify register read/write accesses. The \overline{RD} and \overline{WR} signals are qualified with \overline{CS} .

Signal Name: $\overline{RD} (\overline{DS})$
 Signal Description: **Read Enable**
 Signal Type: **Input**

Along with \overline{CS} , this active-low signal qualifies read access to one of the DS26102 registers. While \overline{RD} and \overline{CS} are both low, the DS26102 drives the D/AD bus with the contents of the addressed register.

Signal Name: $\overline{WR} (\overline{R/W})$
 Signal Description: **Write Enable**
 Signal Type: **Input**

Along with \overline{CS} , this active-low signal qualifies write access to one of the DS26102 registers. Data at D/AD[7:0] is written into the addressed register at the rising edge of \overline{WR} while \overline{CS} is low.

Signal Name: \overline{INT}
 Signal Description: **Interrupt**
 Signal Type: **Output**

This active-low, open-drain output is asserted when an unmasked interrupt event is detected. \overline{INT} is deasserted when all interrupts have been acknowledged and serviced.

Signal Name: **MUX**
 Signal Description: **Bus Operation**
 Signal Type: **Input**

Set this signal low to select nonmultiplexed bus operation. Set it high to select multiplexed bus operation.

Signal Name: **BTS**
 Signal Description: **Bus Type Select**
 Signal Type: **Input**

Set this signal high to select Motorola bus timing; set it low to select Intel bus timing. This pin controls the function of the $\overline{RD} (\overline{DS})$, ALE (AS), and $\overline{WR} (\overline{R/W})$ pins. If BTS = 1, these pins assume the function listed in parentheses ().

Signal Name: **BLS0**
 Signal Description: **Block Select 0**
 Signal Type: **Input**

This signal is available on the DS26102 to determine which octal block of ports is mapped to the microprocessor control port.

Signal Name: **REFCLKIN**
 Signal Description: **Reference Clock**
 Signal Type: **Input**

This continuous T1 (1.544MHz) or E1 (2.048MHz) clock is used to create GCLKOUT.

Signal Name: **GCLKOUT**
 Signal Description: **Global Clock Output**
 Signal Type: **Output**

This output clock is 16x the REFCLKIN input (24.7MHz (typ) for T1). This pin is usually connected to GCLKIN.

Signal Name: **GCLKIN**
 Signal Description: **Global Clock Input**
 Signal Type: **Input**

This is the primary clock for internal state machines. It can be connected to GCLKOUT or provided by the user. The GCLKIN frequency must be at least 10x the T1 or E1 line rate.

Signal Name: **RESET**
 Signal Description: **System Reset**
 Signal Type: **Input**

This is an active-low reset. Forcing this input low sets all internal registers to their default value.

Signal Name: **8KHZIN**
 Signal Description: **8kHz Reference Clock**
 Signal Type: **Input**

This continuous clock is used to generate the internal one-second-timer pulse. It can be a T1/E1 frame sync.

Signal Name: **1SECOUT**
 Signal Description: **One-Second Clock Output**
 Signal Type: **Output**

This is a one-second reference-pulse output created by dividing 8KHZIN by 8000. Using this signal is optional.

Signal Name: **EXSTAT0-8**
 Signal Description: **External Status Input (1 to 8)**
 Signal Type: **Input**

A low-to-high transition on this pin sets the EXSTAT status bit in the port status register (PSR). EXSTAT1 maps to the PSR for port 1 up to EXSTAT8, which maps to port 8. The EXSTAT bit can be enabled to generate an interrupt by setting the EXSTATIM bit in RCR2. These signals could be connected to an external event timer, an external status signal, or the 1SECOUT signal generated by the DS26102. Application of this signal is optional. If not used, the EXSTAT signals should be grounded.

Signal Name: **RLCD0-15**
 Signal Description: **Receive Loss-of-Cell Delineation for Ports 1 to 15**
 Signal Type: **Output**

This signal is the hardware representation of the LCDS status bit (PSR.2). For example, if RLCD3 is high (logic 1), then port 3's receiver has lost cell delineation (synchronization) with the incoming data stream.

6.4 Test and JTAG Signals

Signal Name: **JTRST**
 Signal Description: **IEEE 1149.1 Test Reset**
 Signal Type: **Input**

JTRST is used to asynchronously reset the test access port (TAP) controller. After power-up, JTRST must be toggled from low to high. This action sets the device into the JTAG DEVICE ID mode. Pulling JTRST low restores normal device operation. JTRST is pulled high internally through a 10k Ω resistor operation. If boundary scan is not used, this pin should be held low.

Signal Name: **JTMS**
 Signal Description: **IEEE 1149.1 Test Mode Select**
 Signal Type: **Input**

This pin is sampled on the rising edge of JTCLK and is used to place the TAP into the various defined IEEE 1149.1 states. This pin has a 10k Ω pullup resistor.

Signal Name: **JTCLK**
 Signal Description: **IEEE 1149.1 Test Clock Signal**
 Signal Type: **Input**

This signal is used to shift data into JTDI on the rising edge and out of JTDO on the falling edge.

Signal Name: **JTDI**
 Signal Description: **IEEE 1149.1 Test Data Input**
 Signal Type: **Input**

Test instructions and data are clocked into this pin on the rising edge of JTCLK. This pin has a 10k Ω pullup resistor.

Signal Name: **JTDO**
 Signal Description: **IEEE 1149.1 Test Data Output**
 Signal Type: **Output**

Test instructions and data are clocked out of this pin on the falling edge of JTCLK. If not used, this pin should be left unconnected.

Signal Name: **TEST**
 Signal Description: **Test Mode**
 Signal Type: **Input**

When TEST is set to logic 1, the REFCLKIN input is connected to the internal SYS_CLK for the IP01 logic cores. In this mode, the signal on REFCLKIN should be phase-aligned to GCLKIN with a frequency of GCLK/2. Also, when TEST = 1 and RESET = 0, all outputs of the DS26102 should be tri-stated.

7. TRANSMIT OPERATION

The DS26102 interface to the ATM layer is fully compliant to the ATM Forum's UTOPIA Level 2 specification. The DS26102 supports multiplexed with 1 CLAV handshaking only. Each octal block can be configured to use any of the address ranges (0 to 7, 8 to 15, 16 to 23, or 24 to 30) as UTOPIA port addresses. Each octal block on the bus must be configured for a different UTOPIA address range. The depth of the Tx FIFO is configurable to 2, 3, or 4 cells. When a port is polled and has cell space available, the DS26102 generates a cell-available signal for that port.

[Figure 7-1](#) shows the polling and cell transfer cycles to UTOPIA ports in the DS26102. Note that UT_SOC must be aligned with the first byte transfer. The DS26102 uses UT_SOC to detect the first byte of a cell. If a spurious UT_SOC comes during a cell transfer, then the DS26102 aligns with the latest UT_SOC and ignores the bytes (partial cell) received thus far.

7.1 UTOPIA-Side Transmit—Muxed Mode with 1 TXCLAV

In Level 1 UTOPIA there is only one PHY layer device. It uses UT_CLAV to convey transfer status to the ATM layer. In Level 2 UTOPIA only one MPHY port at a time is selected for a cell transfer. However, another MPHY port can be polled for its UT_CLAV status, while the selected MPHY port (device) transfers data. The ATM layer polls the UT_CLAV status of an MPHY port by placing its address on UT_ADDR. The MPHY port (device) drives UT_CLAV during each cycle, following one with its address on the UT_ADDR lines. The ATM layer selects an MPHY port for transfer by placing the desired MPHY port address onto UT_ADDR, when $\overline{UT_ENB}$ is deasserted during the current clock cycle and asserted during the next clock cycle. All MPHY devices only examine the value on UT_ADDR for selection purposes when $\overline{UT_ENB}$ is deasserted. The MPHY port is selected starting from the cycle after its address is on the UT_ADDR lines and $\overline{UT_ENB}$ is deasserted; a new MPHY port is addressed for selection ending in the cycle and $\overline{UT_ENB}$ is deasserted. Once a MPHY port is selected, the cell transfer is accomplished as described by the cell-level handshake of UTOPIA Level 1. To operate an MPHY device in a single PHY environment, the address pins should be set to the value programmed by the management interface.

[Figure 7-1](#) shows an example where PHYs are polled until the end of a cell transmission cycle. The UT_CLAV signal shows that PHYs N - 3 and N + 3 can accept cells and that PHY N + 3 is selected. The PHY is selected with the rising clock edge 16. Immediately after the beginning of cell transmission to PHY N + 3, the ATM layer starts polling again. Up to 26 PHYs can be polled using the 2-clock polling cycles shown in [Figure 7-1](#). This maximum value can only be reached if all responses occur in minimum delays, e.g., as the figure shows, where the response of the last PHY is obtained with clock edge 15, immediately followed by the $\overline{UT_ENB}$ pulse to the PHYs. If an ATM implementation needs additional clock cycles to select the PHY, fewer than 26 PHY can be polled during one cell cycle. Note that if the ATM decides to select PHY N again for the next cell transmission, it could leave the $\overline{UT_ENB}$ line asserted and start transmitting the next cell with clock edge 15. This results in back-to-back cell transmission.

Note that the active PHY (PHY N) is polled in octet P48. According to the UTOPIA Level 1 specification, the PHY's UT_CLAV signal at this time indicates the possibility of a subsequent cell transfer. Polling of PHY N before octet P44 would be possible, but it does not indicate availability of the next cell.

Figure 7-2 shows an example where the transmission of cells through the transmit interface is stopped by the ATM, as no PHY is ready to accept cells. Polling then continues. Several clock cycles later one PHY gets ready to accept a cell. During the transmission pause the UT_DATA and UT_SOC may go into high-impedance state, as shown in Figure 7-2. UT_ENB is held in deasserted state. When a PHY is found that is ready to accept a cell (PHY_N + 3 in this case), the address of this PHY must be applied again to select it. This is necessary because of the 2-clock polling cycle, where the PHY is detected at clock edge 15. At this time, the address of PHY N + 3 is no longer on the bus, therefore, it must be applied again in the next clock cycle. PHY N + 3 is selected with clock edge 16.

Figure 7-1. Polling Phase and Selection Phase at Transmit Interface

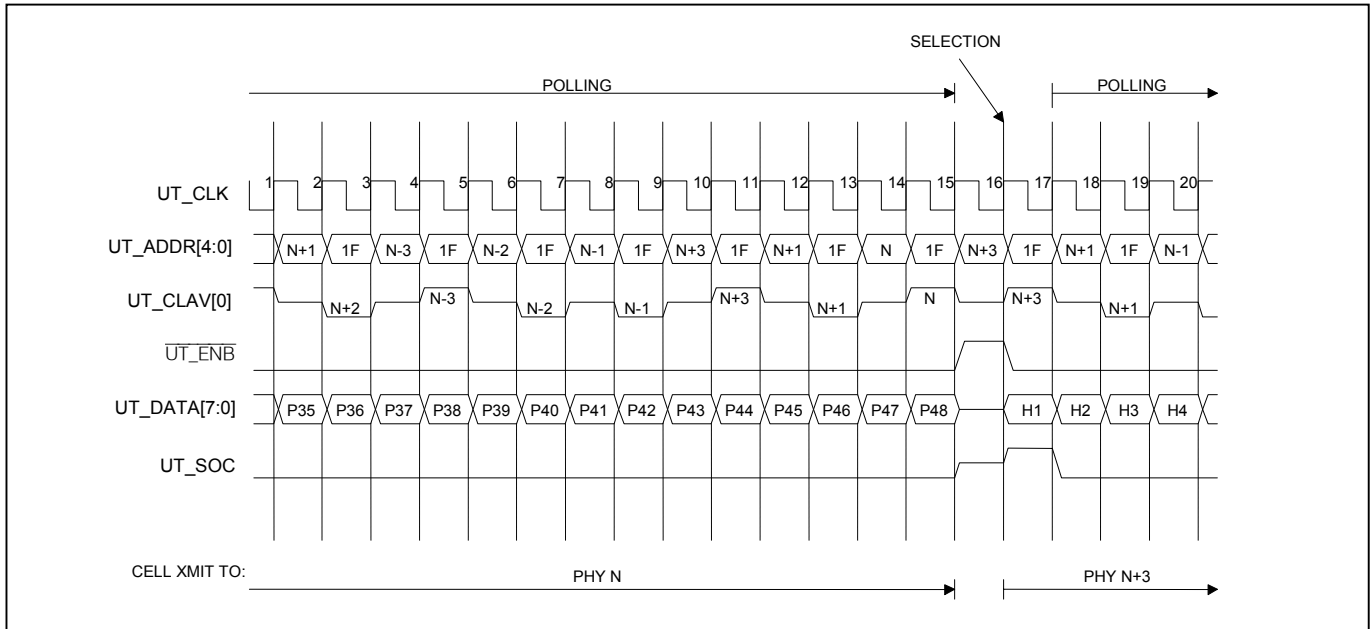


Figure 7-2. End and Restart of Cell at Transmit Interface

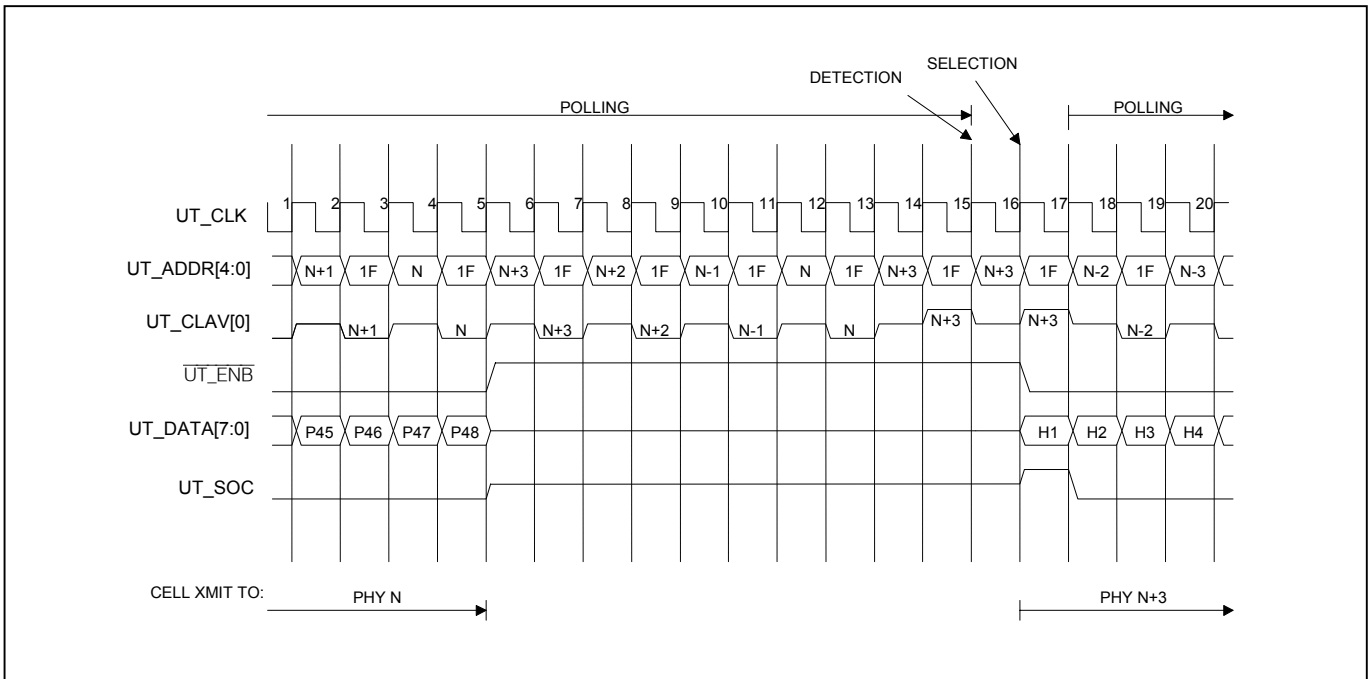
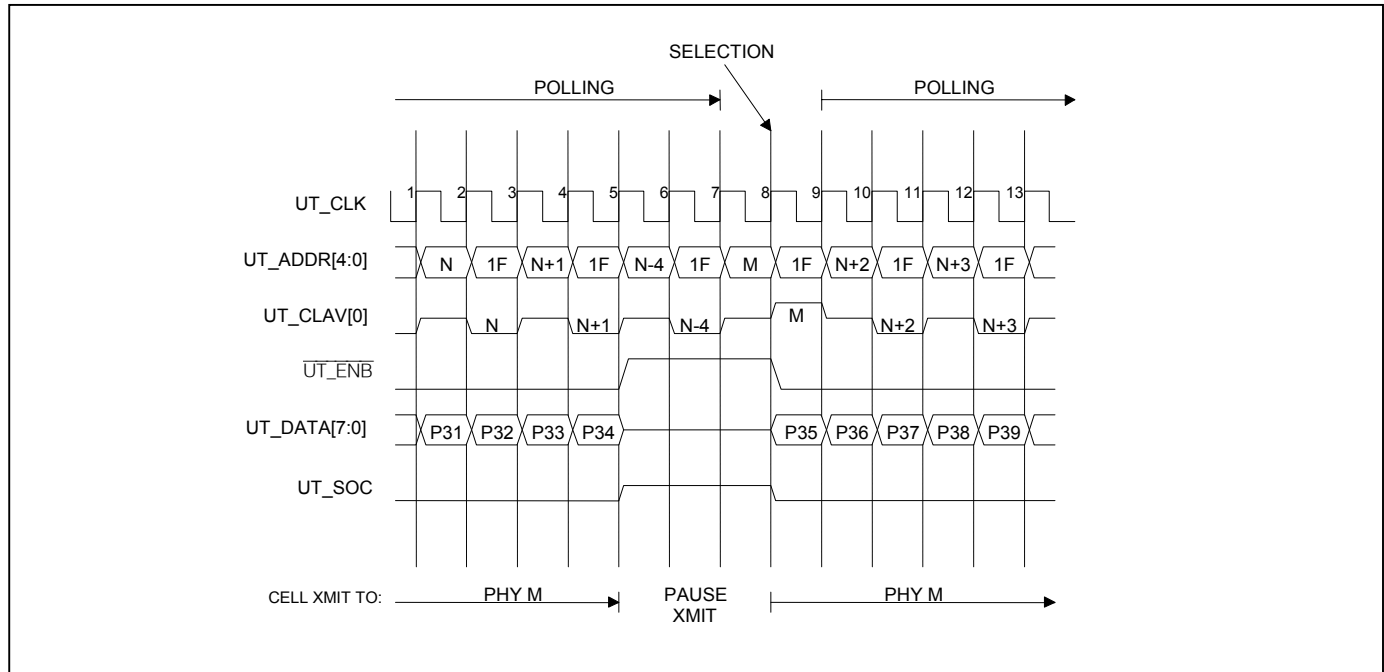


Figure 7-3 shows an example where the ATM must pause the data transmission, as it has no data available (in this case, for three clock cycles). This is done by deasserting $\overline{UT_ENB}$ and (optionally) setting UT_DATA and UT_SOC into high-impedance state. Polling may continue. In the last clock cycle, before restarting the transmission, the address “M” of the previously selected PHY is put on the UT_ADDR bus to reselect PHY M again.

Figure 7-3. Transmission to PHY Paused for Three Cycles



7.2 UTOPIA-Side Transmit—Direct Status Mode (MULTITXCLAV)

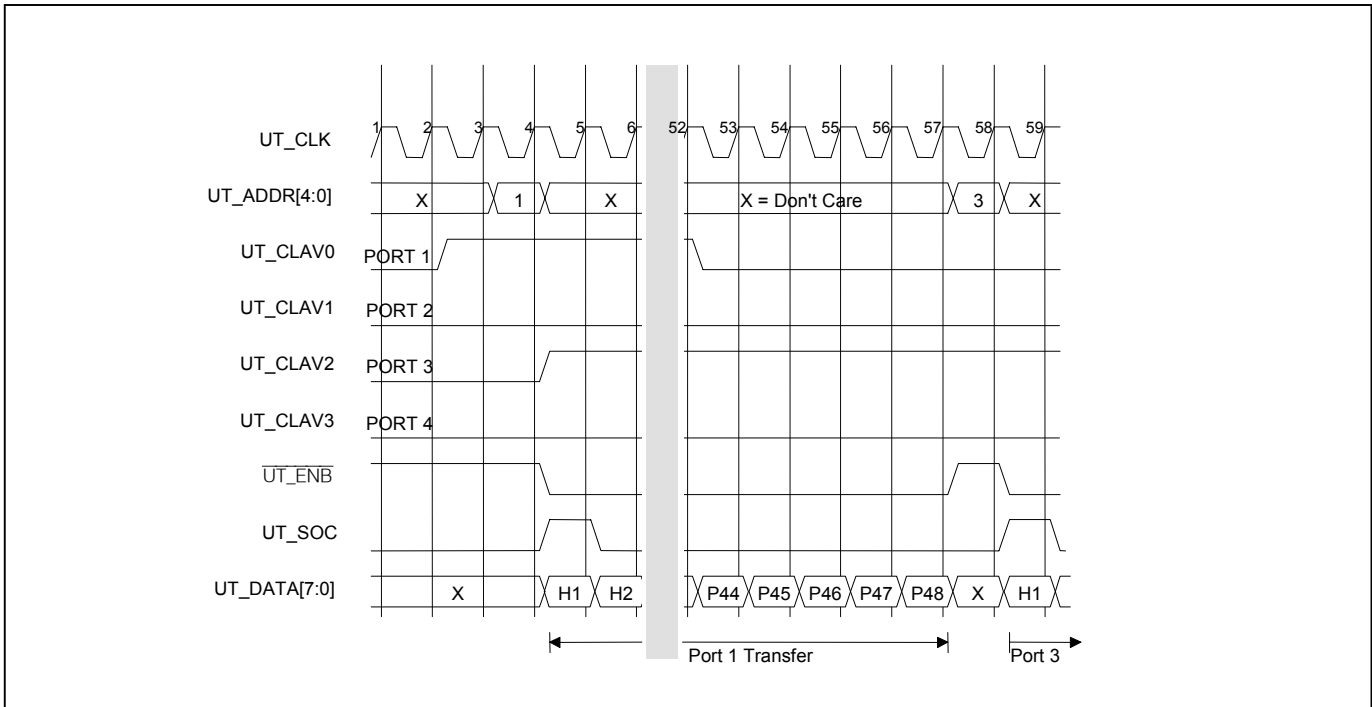
The DS26102 supports direct status mode per af-phy-0039.000 for a maximum of four PHY ports connected to one ATM layer. For each PHY port, the status signals UR_CLAV and UT_CLAV are permanently available, according to UTOPIA Level 1 specification. PHY devices with up to four on-chip PHY ports have up to four UR_CLAV and up to four UT_CLAV status signals, one pair of UR_CLAV and UT_CLAV for each PHY port.

Status signals and cell transfers are independent of each other. No address information is needed to obtain status information. Address information must be valid only for selecting a PHY port prior to one or multiple cell transfers. With respect to the status signals UR_CLAV and UT_CLAV , this mode of operation corresponds to that of four individual PHY devices, according to UTOPIA Level 1. With respect to the cell transfer, this mode of operation corresponds to that as described in other parts of this document. The ATM layer selects a PHY port for cell transfer by placing the desired port on the address lines ($UR_ADDR[4:0]$, $UT_ADDR[4:0]$), while the enable signal ($\overline{UR_ENB}$, $\overline{UT_ENB}$) is deasserted. All PHY ports only examine the value on the address lines for possible selection when the enable signal is deasserted. In case the ATM suspends transmission for a specific PHY port during a cell transfer, no cells to/from other PHY ports can be transferred during this time.

Figure 7-4 shows a direct status example for the transmit direction. Signals $UT_CLAV[3:0]$ are associated with PHY port addresses 4, 3, 2, and 1. There is no need for a unique null device, therefore, “X = don’t care” represents any address between 0 and 31 on the address lines $UT_ADDR[4:0]$ or any data on the data bus. In this mode, the DS26102 supports address ranges 0 to 3, 8 to 11, 16 to 19, or 24 to 27. In Figure 7-4 the polling of PHY ports starts while no cell transfer takes place. The ATM layer has pending cells for all four PHY ports (one individual queue for each PHY port), but all four PHY ports cannot accept a cell. With rising clock edge 2, PHY port 1 indicates that it can accept a complete cell (UT_CLAV0 asserted). The ATM layer detects this at clock edge 3. It selects that PHY port by placing address 1 on the address lines with rising clock edge 3. PHY port 1 detects this at clock edge 4. At clock edge 5, PHY port 1 detects $\overline{UT_ENB}$ asserted, thus cell transfer for PHY port 1 starts with rising clock edge 5 (byte H1).

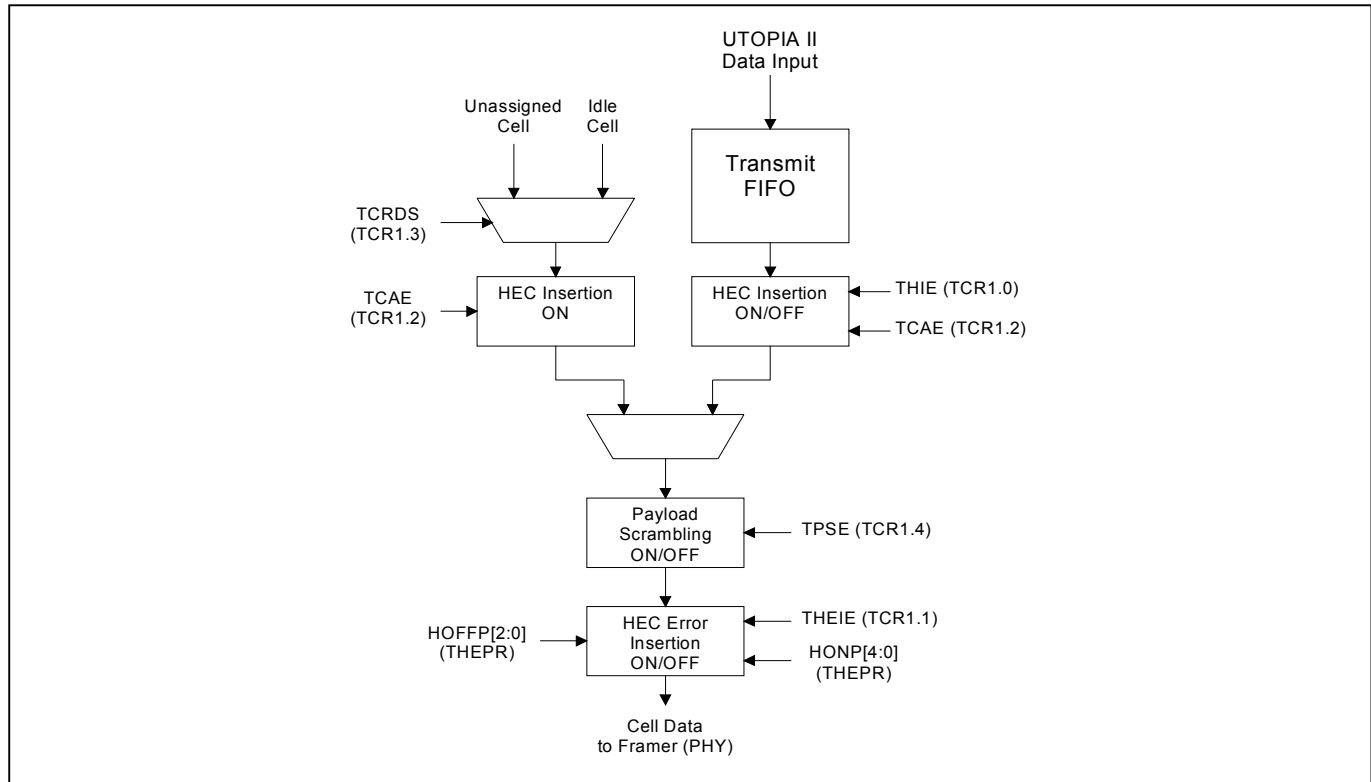
At clock edge 5, the ATM layer detects a cell available at PHY port 3 (UT_CLAV2 asserted). With rising clock edge 52, PHY port 1 indicates that it cannot accept an additional cell by deasserting UT_CLAV0. Thus, at clock edge 57, the ATM layer detects only UT_CLAV2 asserted (UT_CLAV1 and UT_CLAV3 remain deasserted). The ATM layer deselects PHY port 1 and selects PHY port 3 for cell transfer with rising clock edge 57 by placing address 3 on the address lines and deasserting $\overline{UT_ENB}$. PHY port 1 and PHY port 3 detect this at clock edge 58. At clock edge 59, PHY port 3 detects $\overline{UT_ENB}$ asserted, thus cell transfer for PHY port 3 starts with rising clock edge 59 (byte H1). For additional examples, refer to ATM Forum document af-phy-0039.000.

Figure 7-4. Example of Direct Status Indication, Transmit Direction



7.3 Transmit Processing

The DS26102 can insert a valid HEC byte in the cell header, or it can be programmed to transparently transmit the HEC byte from ATM layer. When inserting a valid HEC byte, COSET (0x55) addition can be disabled. The generator polynomial used is $1 + X + X^2 + X^8$. For idle/unassigned cell insertion (used for cell-rate decoupling), the DS26102 inserts a valid HEC byte with or without COSET addition, depending on the TCRDS (TCR1.3) microprocessor register bit. The DS26102 can scramble payload bytes, depending on the TPSE (TCR1.4) register bit. The polynomial used for scrambling is $X^{43} + 1$. For debugging purposes, the DS26102 can be configured to introduce a single-bit HEC error in the cell header of transmitted cells. When configured in HEC error-insertion mode, the DS26102 inserts HEC errors in "HEC on period" number of cells and turns off HEC error insertion for "HEC off period" number of cells, as set in the transmit HEC error-pattern register (THEPR). This process repeats periodically until HEC error insertion is disabled through the THEIE bit (TCR1.1).

Figure 7-5. Transmit Cell Flow and Processing

7.4 Physical-Side Transmit

The transmit framer interface operates in one of two modes:

- 1) Gapped clock + data
- 2) Clock + data + frame-pulse indication

The mode can be selected on a per-port basis by the TPLIM control bit (TCR2.1). If configured in frame-pulse-indication mode, valid data bits are not sent during frame-pulse positions in the case of T1 and during TS0 and TS16 positions in case of E1 direct mapping. The TS0 and TS16 locations are identified from the frame-pulse indication signal aligned with bit 0 of the E1 frame. The TPC (TCFR.0) bit determines T1 or E1 configuration. ATM cell octets are byte-aligned with respect to the frame-pulse-indication signal. In clear E1 mode, valid data bits are transmitted at every clock tick. The DS26102 can either output the frame-pulse signal or use it as an input as controlled through TFSD (TCR2.0).

The active edge of the transmit clock can be selected through the TAES control bit (TCR2.2). The active edge used by the transmit interface should be configured to the opposite edge of that used by the external framer.

[Figure 7-6](#) shows the transmit-framer-interface operation in frame-pulse mode for T1. In this example, the DS26102 uses the positive edge of TCLK to launch TDATA and TFP. Bit B1 is the MSB of a valid cell octet and B8 is the LSB.

The TFP signal should be aligned with the framing bit position. When interfacing to framers where the framing pulse and data active edges are individually configurable, it should be ensured that the sampling and updating should happen in opposite edges.

Figure 7-6. Transmit Framer Interface in TFP Mode for T1

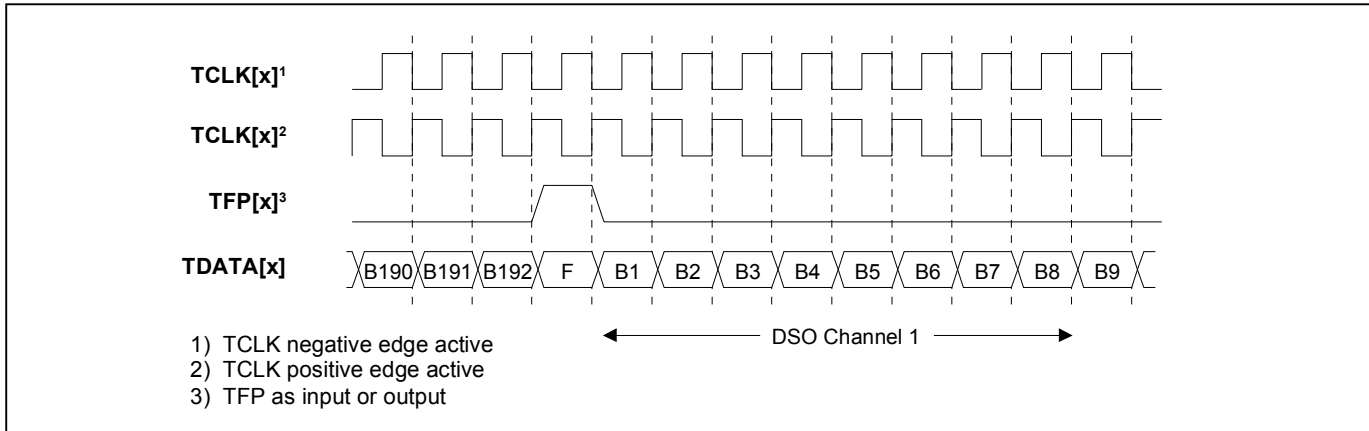


Figure 7-7 shows the transmit-framer-interface operation for T1 in gapped-clock mode. The framing overhead-bit position is gapped. In this diagram, DS26102 uses the positive edge to launch TDATA.

Figure 7-7. Transmit Framer Interface in Gapped-Clock Mode for T1

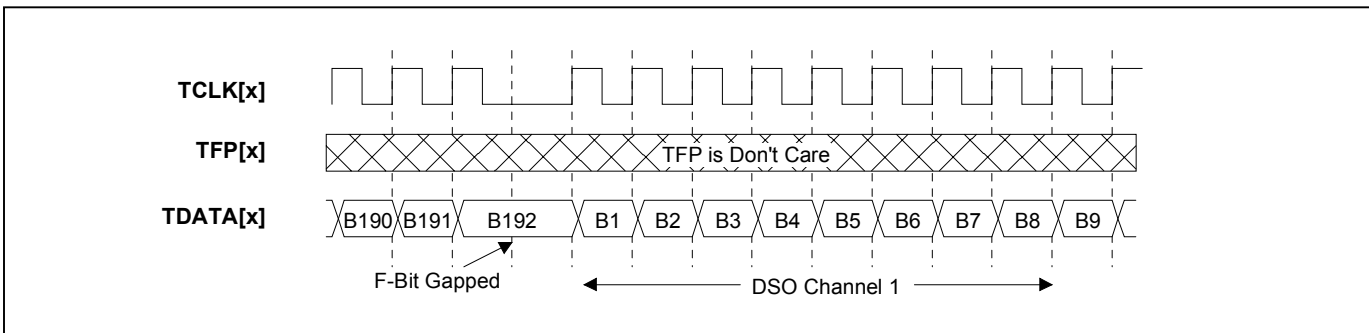


Figure 7-8 shows the E1 transmit-framer-interface operation using TFP to indicate the beginning of the E1 frame. The DS26102 uses the positive edge to launch TDATA and TFP. Using TFP, the DS26102 identifies TS0 and TS16 slots and does not send valid data on TDATA in these slots. In this case, B0 to B7 are not valid data bits of a cell so that B8 is the MSB of the cell octet. The timing requirements for the TFP signal are the same as in the T1 case.

Figure 7-8. Transmit Framer Interface in TFP Mode for E1

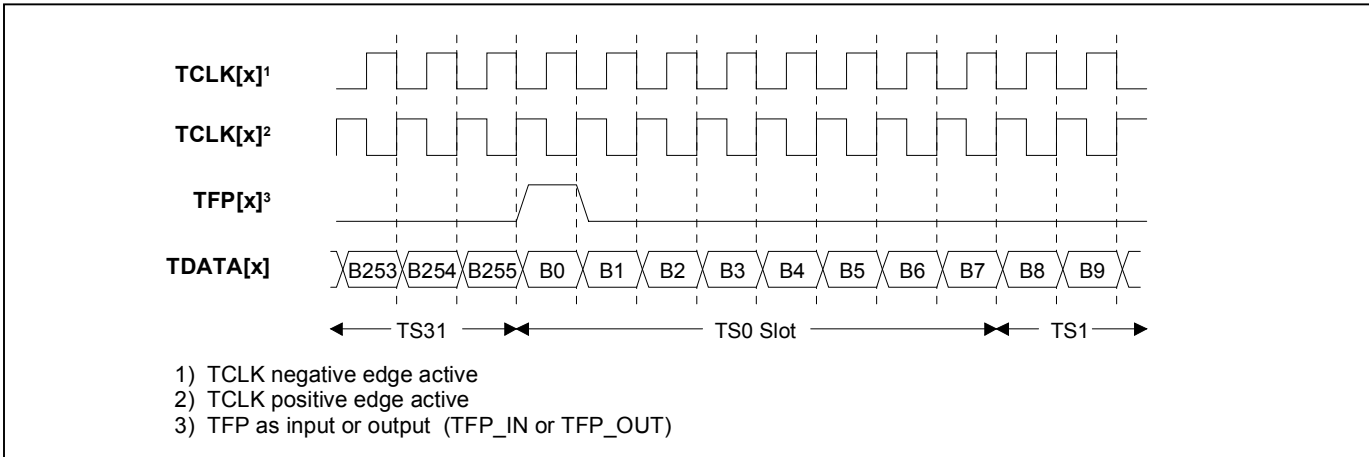
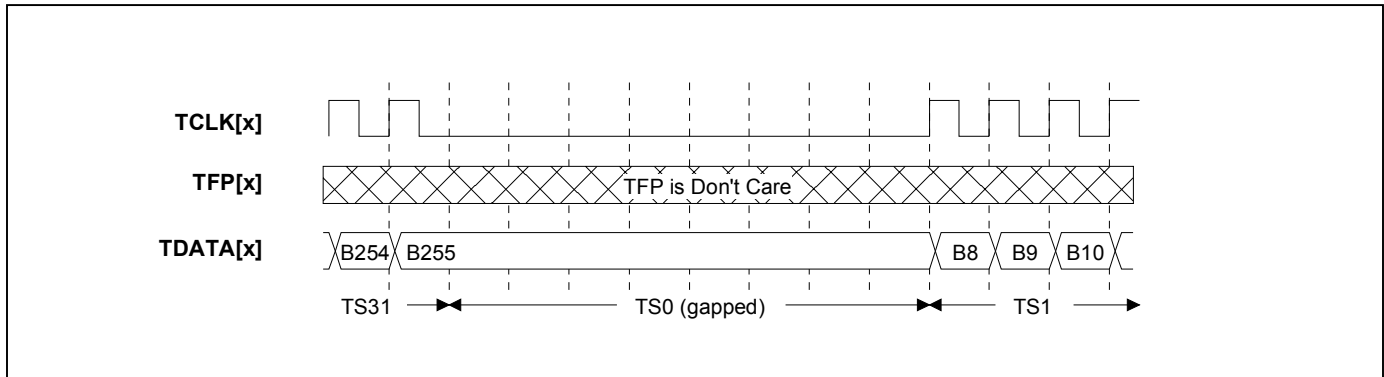


Figure 7-9 shows the transmit framer-interface operation for E1 in gapped-clock mode.

Figure 7-9. Transmit Framer Interface in Gapped-Clock Mode for E1



The fractional T1 ($N \times DS0$) is supported in TFP and gapped-clock modes of the physical interface. In TFP mode, the framer must generate TFP during frame-overhead-bit and nonactive-DS0-channel positions. Fractional T1 is not supported if TFP is generated by the DS26102. In gapped-clock mode, TCLK should be gapped during frame-overhead-bit and nonactive-DS0-channel positions. In E1, to achieve a rate in multiples of 64kbps up to 2.048Mbps, the DS26102 should be configured in gapped-clock mode, and TCLK should be gapped during nonactive time slots. TFP mode (for both input and output TFP configurations) is not supported in fractional E1 configuration.

The DS26102 can either use the T1/E1 clock from the framer or use an internally generated low-frequency clock at the transmit line interface. The low-frequency clock is the system clock ($1/2 \times GCLKIN$) divided by 8. This clock is used primarily for diagnostic loopback.

The TLICS bit (TCR2.6) selects between the framer clock and the internally generated clock. **The internally generated clock should be used only in diagnostic loopback (otherwise, the framer and DS26102 are operating for different clocks). During diagnostic loopback, this clock is fed to the receive line interface unit.**

8. RECEIVE OPERATION

The receive interface of the DS26102 is fully compliant to the ATM Forum's UTOPIA Level 2 specifications. Each octal block of the DS26102 can be configured to use one of the address ranges (0 to 7, 8 to 15, 16 to 23, and 24 to 30) as UTOPIA port addresses. If Rx FIFO is not empty, cell available is asserted. After cell transfer from a port, the external cell-available signal is updated based on the receive-FIFO fill level one clock cycle after cell transfer completion. During this one-clock cycle, cell-available indication for this port is kept in the deasserted state. In other words, one-clock minimum latency between two cell transfers from the same UTOPIA port is needed by the DS26102 to update its internal cell pointers. Section 8.3 gives additional details concerning the UTOPIA-side interface.

8.1 Physical-Side Receive

The receive framer interface operates in one of two modes:

- 1) Gapped clock + data
- 2) Clock + data + frame-pulse indication

The mode can be selected on a per-port basis with the receive physical-layer interface mode control bit (RPLIM) at RCR2.1. If configured in frame-pulse-indication mode, the bits coming at frame-pulse-indication positions are ignored in case of T1 direct mapping, and bits coming at TS0 and TS16 positions are ignored in case of E1 direct mapping. TS0 and TS16 slots are identified using the frame-pulse indication aligned with bit 0 of the E1 frame. The control bit RPC (RCFR.0) determines T1 or E1 configuration. If no frame-pulse indication is given, bits are sampled at every receive clock tick. If clear E1 operation is needed, the interface should be configured to operate in gapped

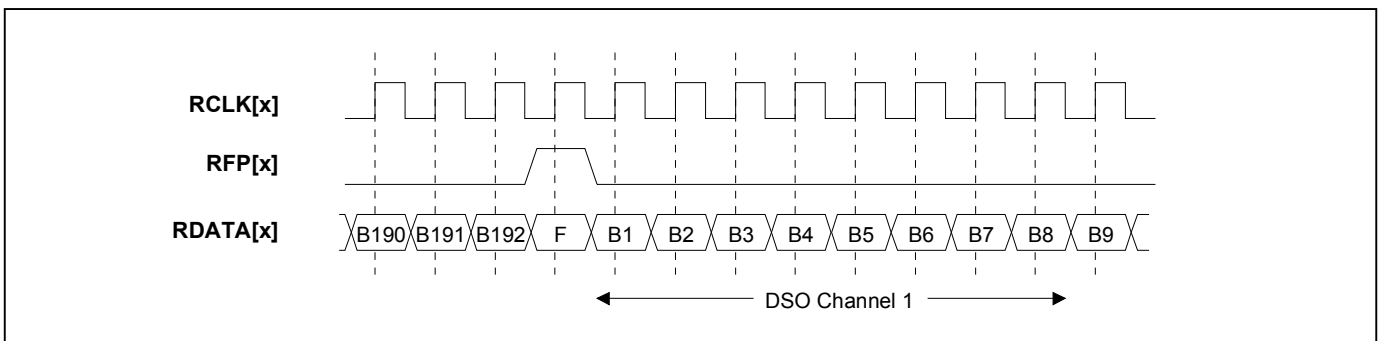
clock + data mode, in which case the external frame-pulse-indication signal is ignored and the data bits are clocked at every clock tick.

The active edge of the receive clock can be selected through the RAES (RCR2.2) control bit. The active edge selected for the Rx framer interface should be opposite the active edge that is used by the transmitting device (either an external framer or the transmit section of DS26102, when enabled for diagnostic loopback).

Diagnostic loopback toward the ATM layer side (UTOPIA side) can be enabled through the DLBE (RCR2.0) control bit. In diagnostic loopback, data, clock, and frame-pulse indication generated by the transmit section of the DS26102 are used instead of the corresponding signals from the physical layer device. Rx physical-interface mode should be configured with same value as the Tx physical-interface mode. The Rx active-edge selection bit should be configured as the opposite edge of that used by the transmit section of the DS26102.

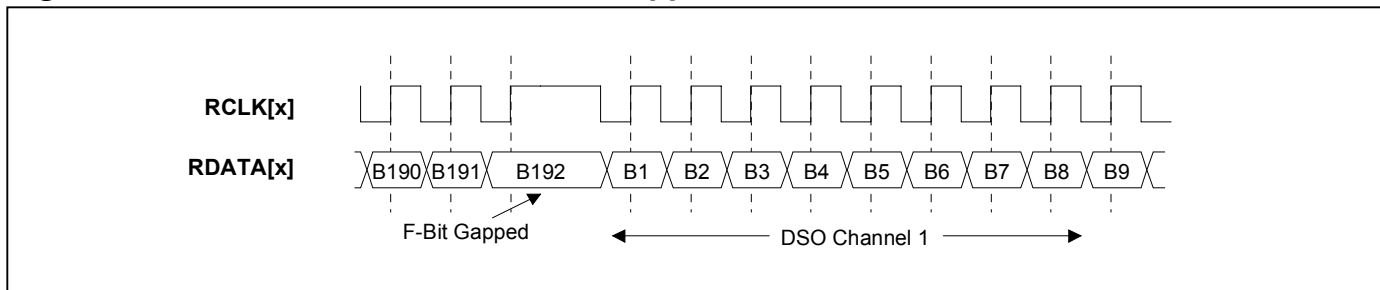
[Figure 8-1](#) shows the receive framer-interface operation for T1 mode with the DS26102 using the positive clock edge to sample RDATA and RFP and the framer using the negative edge to launch RDATA and RFP.

Figure 8-1. Receive Framer Interface in RFP Mode for T1



[Figure 8-2](#) shows the receive-framer-interface operation for T1 in gapped-clock mode. The framing overhead-bit position is gapped. In this figure, the DS26102 uses the positive edge to sample RDATA and RFP. RFP is don't care.

Figure 8-2. Receive Framer Interface in Gapped-Clock Mode for T1



[Figure 8-3](#) shows the receive-framer-interface operation for E1 using RFP to indicate the beginning of the E1 frame. The DS26102 uses the positive edge of RCLK to sample RDATA and RFP. Using RFP, the DS26102 identifies TS0 and TS16 slots and ignores RDATA coming in these slots.

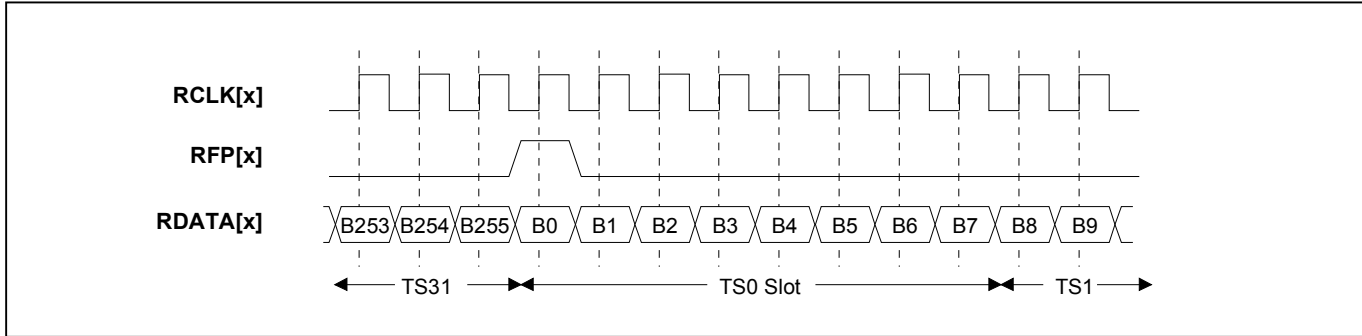
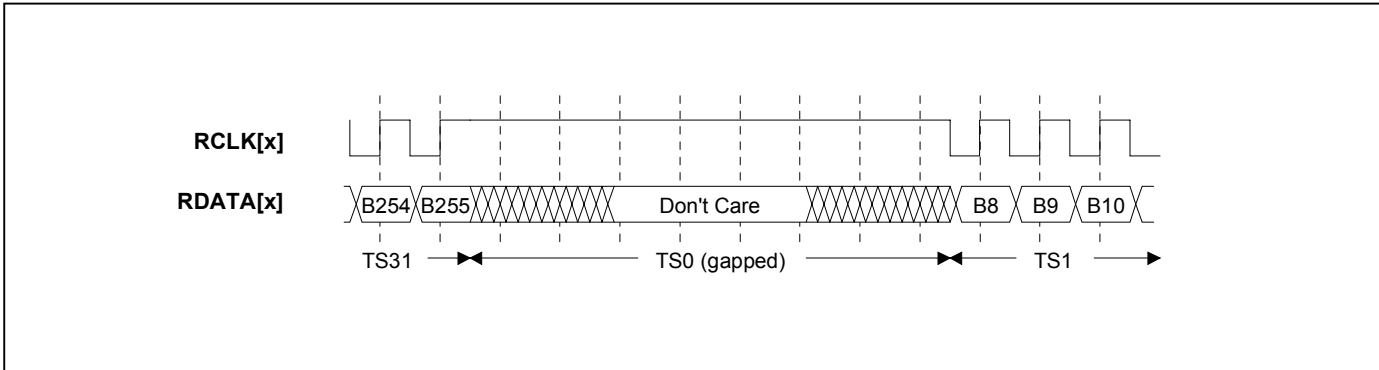
Figure 8-3. Receive Framing Interface in RFP Mode for E1

Figure 8-4 shows the receive-framing-interface operation for E1 in gapped-clock mode. In this mode, RCLK is gapped during TS0 and TS16 locations.

Figure 8-4. Receive Framing Interface in Gapped-Clock Mode for E1

The fractional T1 ($N \times DS0$) is supported in both RFP and gapped-clock modes of physical interface. In RFP mode, the framer must generate RFP during frame-overhead-bit and nonactive-DS0-channel positions. In gapped-clock mode, RCLK should be gapped during frame-overhead-bit and nonactive-DS0-channel positions. In E1 mode, the DS26102 should be configured in gapped-clock mode and RCLK should be gapped during nonactive time slots. **RFP mode is not supported in fractional E1 configuration.**

8.2 Receive Processing

The received bits, after ignoring framing-overhead bits, are checked for possible HEC pattern. The polynomial used for HEC check is $G(X) = 1 + X + X^2 + X^8$, per ITU I.432. Clearing the microprocessor interface register bit RCSE (RCR1.0) can disable the COSET subtraction (0x55).

The cell boundaries in the incoming bit stream are identified based on HEC. Figure 8-5 shows the cell-delineation state machine. The cell-delineation state machine is initially in HUNT state. In HUNT state, it performs bit-by-bit hunting for correct HEC. If correct HEC is found, it transitions to the PRESYNC state where it checks cell-by-cell for correct HEC patterns. If DELTA-consecutive-correct patterns are received in PRESYNC, the cell-delineation state machine transitions to SYNC state. Otherwise, it goes to HUNT state and reinitiates bit-by-bit hunting. In SYNC state, if ALPHA-consecutive-incorrect HEC patterns are received, cell delineation is lost and it goes to HUNT state. In PRESYNC and SYNC states, only cell-by-cell checking for the proper HEC pattern is performed. For the DS26102, ALPHA = 7 and DELTA = 6.

The persistence of the out-of-cell delineation (OCD) event is integrated into LCD, based on programmable integration time period (Rx-LCD integration-period register). If OCD persists for the programmed time, LCD is declared. LCD is deasserted only when cell delineation persists in SYNC for the same-programmed integration time. Whenever there is a change in LCD status (namely “into LCD” or “out of LCD”), an external interrupt is generated when enabled by the corresponding mask bit RCR2.4. The persistence is checked every system clock period (SYS_CLK) divided by 16,383. The default value of the Rx LCD integration-period register provides for an integration time of 100ms for a 16.5MHz SYS_CLK.

If single-bit header-error correction is enabled, the receiver mode of operation state machine follows the state machine given in [Figure 8-6](#). Single-bit correction is done only if correction is enabled and the state machine is in the correction mode of operation at the start of cell transfer. Receiver mode of operation is valid only when cell delineation is in SYNC state. The DS26102 maintains 8-bit correctable and 12-bit uncorrectable HEC-errored cell counts. Both of these counters saturate.

Figure 8-5. Cell Delineation State Diagram

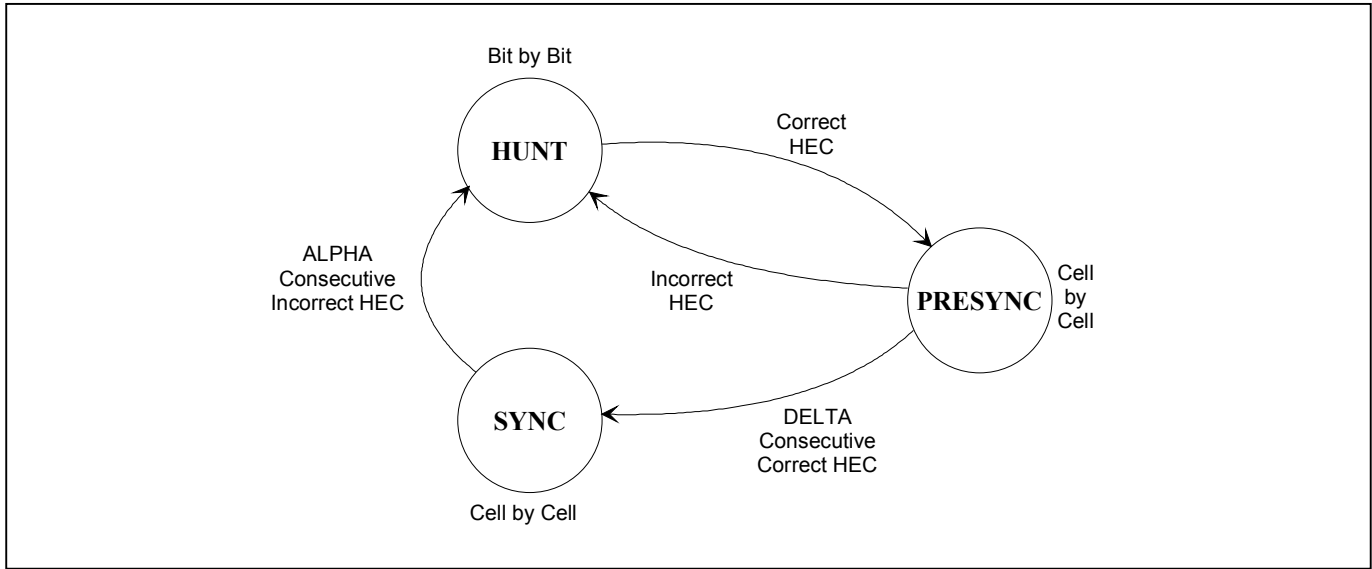
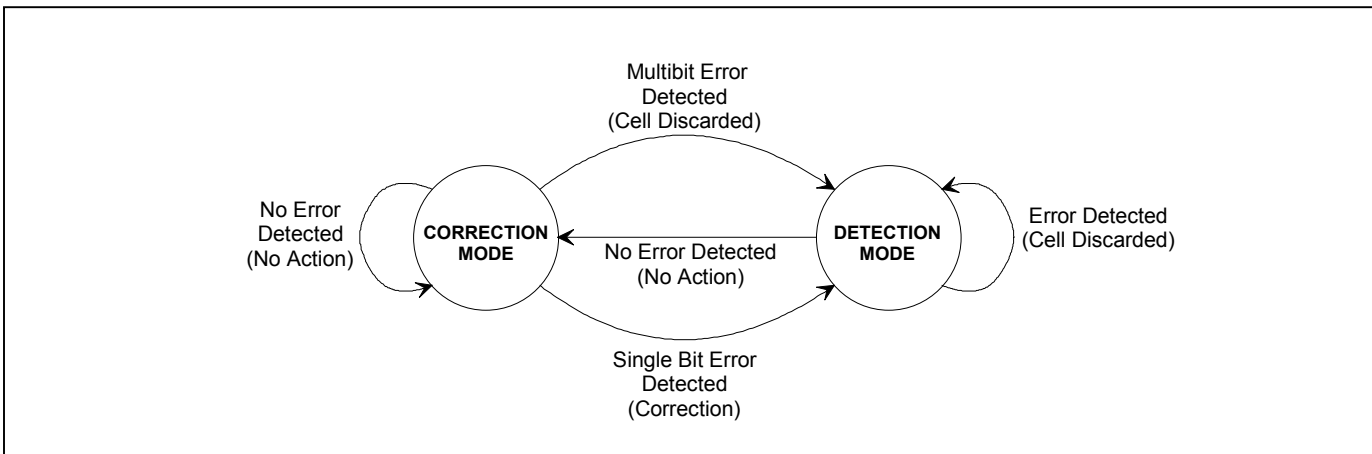


Figure 8-6. Header Correction State Machine



HEC error correction is performed based on receiver mode of operation. In correction mode, only single bit errors can be corrected and the receiver switches to detection mode. In detection mode, all cells with detected header errors are discarded, provided the receive-pass HEC-errored cells (RPHEC) control bit (RCR1.3) is clear. When a header is examined and found not to be in error, the receiver switches to correction mode. The term “no action” in [Figure 8-6](#) means no correction is performed and no cell is discarded.

The payload bytes of the cell are descrambled using the self-synchronizing descrambler polynomial $X^{43} + 1$, as given in ITU-T I.432. The descrambling can be enabled through the RDE control bit (RCR1.2). Descrambling is activated if cell delineation is in PRESYNC or SYNC state. The cell header is not affected by descrambling.

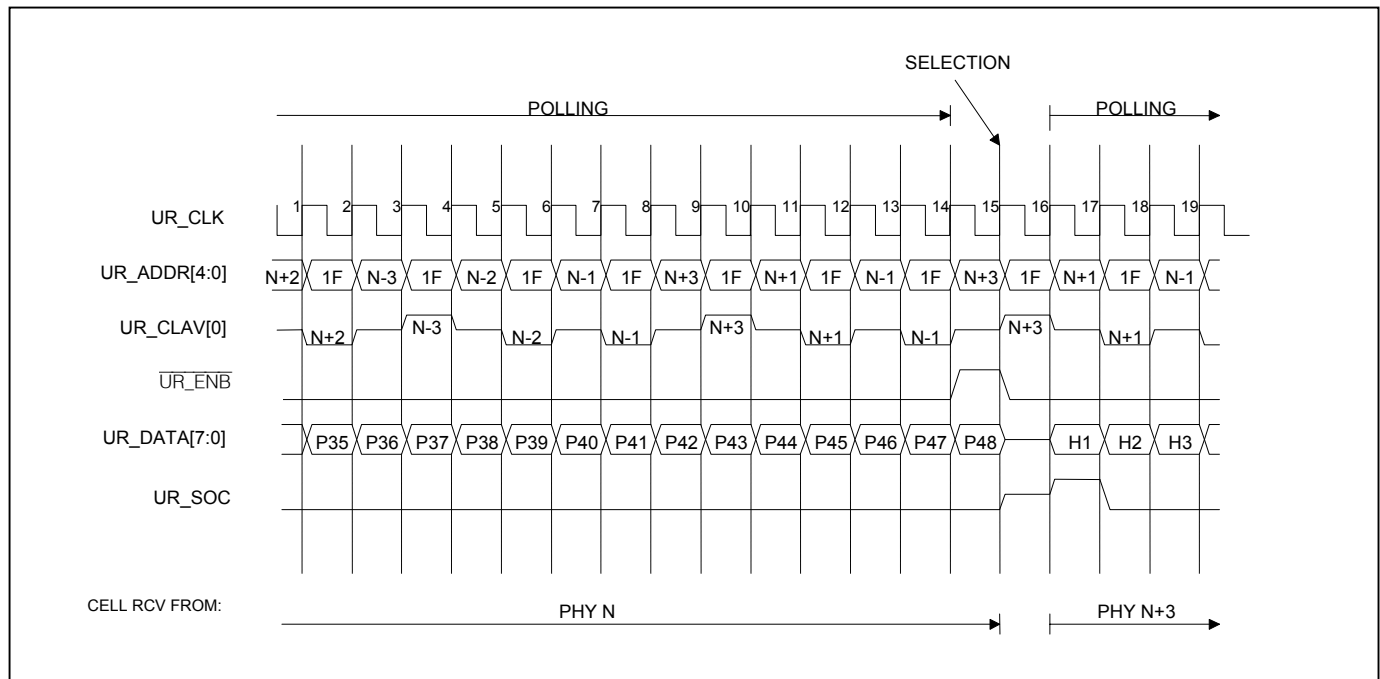
After descrambling and single-bit header-error correction, the cells are written into the receive FIFO as long as cell delineation is in SYNC and the Rx FIFO is not full. Idle and/or unassigned cells can be filtered when enabled in the receive control registers. Uncorrectable HEC-errored cells are normally filtered and are not written into the Rx FIFO unless RPHEC (RCR1.3) is set. Note that if HEC error correction is disabled, all HEC-errored cells are termed as uncorrectable HEC-errored cells. A 16-bit counter tracks the number of cells that can be written into the Rx FIFO and saturates at 0xFFFF. Note that, whether or not the ATM layer dequeues cells from Rx FIFO, this counter is incremented if valid cells are received. This counter is cleared by the microprocessor interface once it is latched. A 4-cell buffer per port is maintained for rate decoupling.

8.3 UTOPIA-Side Receive—Muxed Mode with 1 RXCLAV

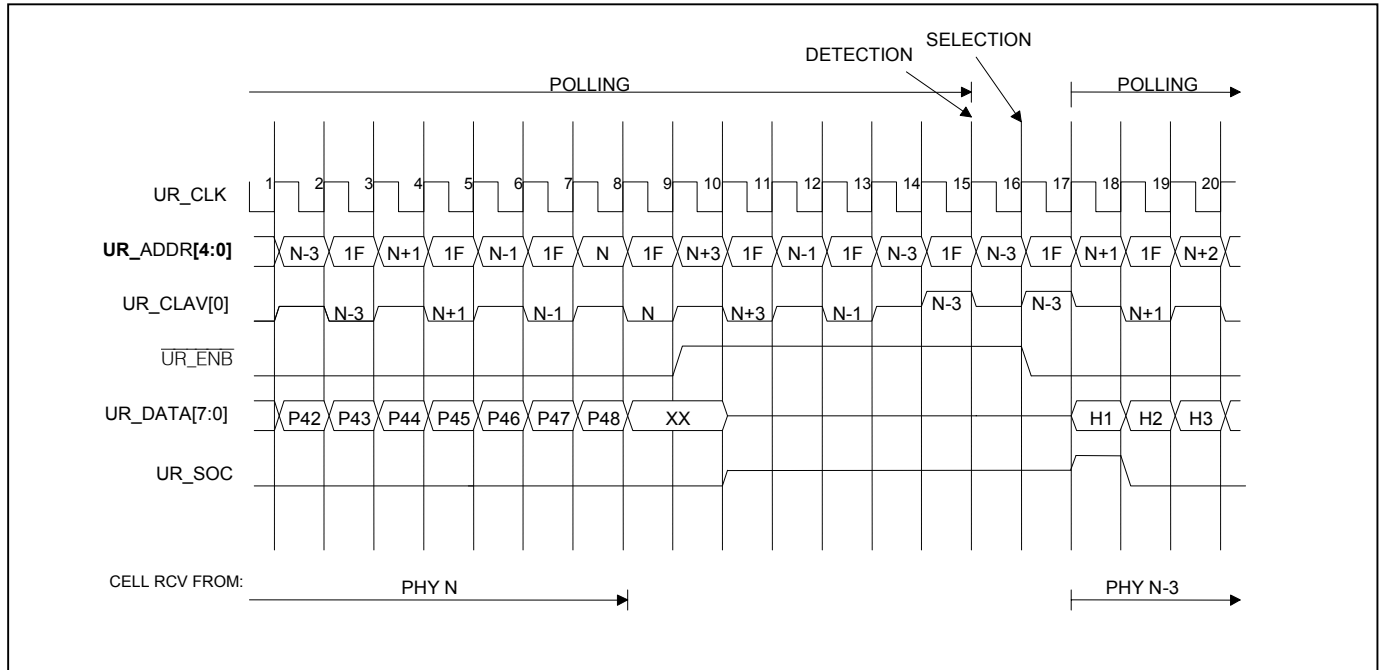
An internal version of the cell-available signal is maintained per port. The DS26102 drives the internal cell-available signals onto the external CLAV lines based on the configured polling mode. In direct status mode, only four ports are supported. The four external CLAV lines are driven with the corresponding internal CLAV signals for UTOPIA ports 0 to 3. In multiplexed-with-1-CLAV mode, only CLAV [0] is driven with the cell-available signal for the port corresponding to the current lower three UTOPIA address bits. The upper two UTOPIA address bits should match the configured address range. If cell transfer is going on for a port, its CLAV is kept asserted until the last byte is transferred to the ATM layer. This is accomplished to support interfacing with the octet-level ATM layer as well. The ATM layer must poll cell-available status for any fresh cell corresponding to a port only after the current cell transfer to the port is completed.

The multiplexed with 1 CLAV polling-mode cycle is depicted in [Figure 8-7](#), in which N, N + 2, N - 3, N - 2, N - 1, N + 3, N + 1 are considered part of the DS26102 UTOPIA ports. During reception of a cell from PHY N, the other PHYs are polled. It turns out that PHY N - 3 and PHY N + 3 have cells available, and PHY N + 3 is ultimately selected. Just like the transmit interface, the 2-clock polling cycle allows a maximum of 26 PHYs to be polled in the 8-bit mode during a cell transfer.

Figure 8-7. Polling Phase and Selection at Receive Interface



[Figure 8-8](#) shows a case when, after the end of transmission of a cell from PHY N, no other PHY has a cell available. Therefore, $\overline{UR_ENB}$ remains asserted as the ATM assumes a cell available from PHY N. With clock edge 9, PHY N also has no cell available, as UR_SOC remains low. The ATM then deasserts $\overline{UR_ENB}$ while the polling of the PHYs continues. With clock edge 15, PHY N - 3 is found to have a cell for transmission. So address N - 3 is applied, and the PHY N - 3 is selected with clock edge 16. Additional receive interface examples are available in ATM Forum's af-phy-0039.000.

Figure 8-8. End and Restart of Cell Transmission at Receive Interface

8.4 UTOPIA-Side Receive—Direct Status Mode (MULTIRXCLAV)

Consider up to a maximum of four PHY ports connected to one ATM layer. For each PHY port, the status signals UR_CLAV and UT_CLAV are permanently available according to UTOPIA Level 1 specification. PHY devices with up to four on-chip PHY ports have up to four UR_CLAV and up to four UT_CLAV status signals, one pair of UR_CLAV and UT_CLAV for each PHY port.

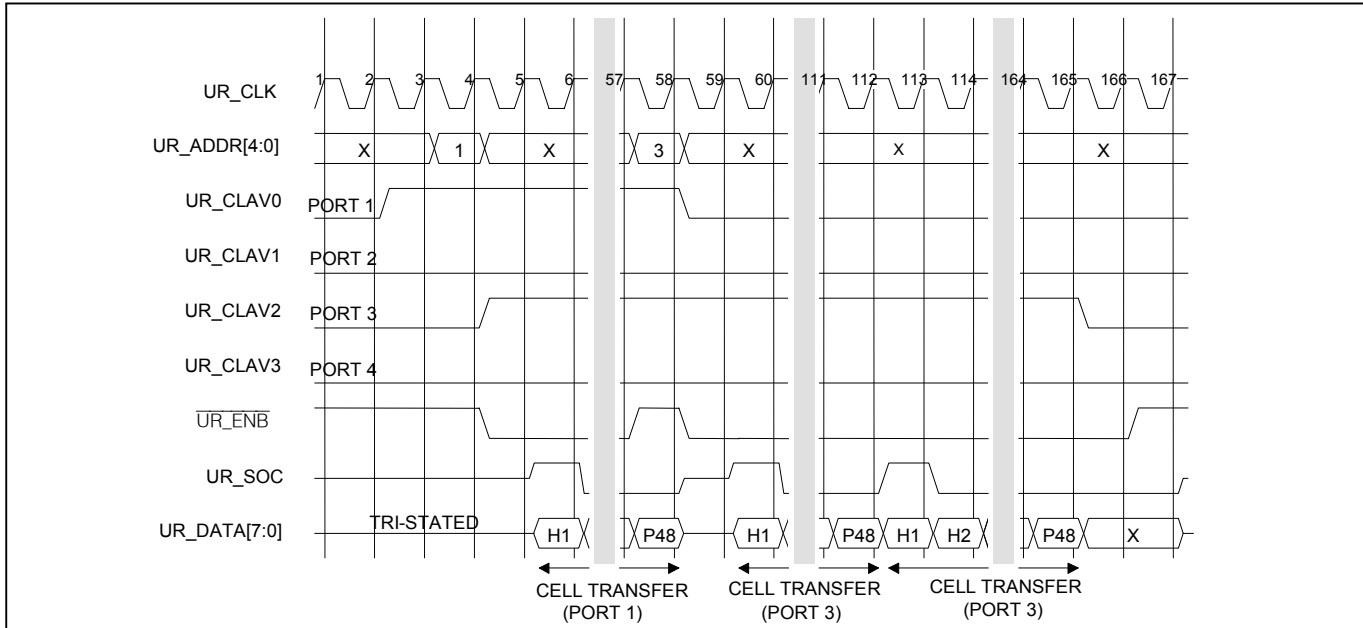
Status signals and cell transfers are independent of each other. No address information is needed to obtain status information. Address information must be valid only for selecting a PHY port prior to one or multiple cell transfers. With respect to the status signals UR_CLAV and UT_CLAV, this mode of operation corresponds to that of four individual PHY devices, according to UTOPIA Level 1. With respect to the cell transfer, this mode of operation corresponds to that described in this document and af-phy-0039.000. The ATM layer selects a PHY port for cell transfer by placing the desired port on the address lines (UR_ADDR[4:0], UT_ADDR[4:0]), while the enable signal ($\overline{\text{UR_ENB}}$, $\overline{\text{UT_ENB}}$) is deasserted. All PHY ports only examine the value on the address lines for possible selection when the enable signal is deasserted. If the ATM layer suspends transmission for a specific PHY port during a cell transfer, no cells to/from other PHY ports can be transferred during this time.

[Figure 8-9](#) shows an example for the receive direction. The status signals UR_CLAV[3:0] are associated with PHY port addresses 4, 3, 2, and 1. Note that for the DS26102, the address range can be any one of 0 to 3, 8 to 11, 16 to 19, and 24 to 27. There is no need for a unique null device, so “X = don’t care” on the address lines UR_ADDR[4:0]. In [Figure 8-9](#) the polling of PHY ports starts while no cell transfer takes place. The ATM layer monitors all four status signals UR_CLAV[3:0]. At clock edge 3, it detects a cell available at PHY port 1 (UR_CLAV0 asserted). It selects that PHY port by placing address 1 on the address lines with rising clock edge 3. PHY port 1 detects this at clock edge 4. At clock edge 5, PHY port 1 detects $\overline{\text{UR_ENB}}$ asserted, thus cell transfer for PHY port 1 starts with rising clock edge 5.

At clock edge 5, the ATM layer detects a cell available at PHY port 3 (UR_CLAV2 asserted). Not knowing whether PHY port 1 may have another cell available or not, the ATM layer deselects PHY port 1 and selects PHY port 3 for cell transfer with rising clock edge 57 by placing address 3 on the address lines and deasserting $\overline{\text{UR_ENB}}$. PHY port 1 and PHY port 3 detect this at clock edge 58. At clock edge 59, PHY port 3 detects $\overline{\text{UR_ENB}}$ asserted, thus cell transfer starts with rising clock edge 59. At clock edge 111, no cell is available at PHY ports 1, 2, and 4. The ATM layer keeps $\overline{\text{UR_ENB}}$ asserted and detects at clock edge 113 the first byte of another cell available from PHY port 3 (UR_CLAV2 asserted). Thus, cell transfer takes place starting with rising clock edge 112. At clock edge 164, again, no cell is available at PHY ports 1, 2, and 4. The ATM layer keeps the $\overline{\text{UR_ENB}}$ asserted and detects at

clock edge 166 that there also is no cell available from PHY port 3 (UR_CLAV2 deasserted). Thus, the ATM layer deselects PHY port 3 by deasserting $\overline{UR_ENB}$ with rising clock edge 166.

Figure 8-9. Example Direct Status Indication, Receive Direction



9. REGISTER MAPPING

The 8-bit registers described in this section are maintained per port, unless otherwise noted. Address bits [7:5] determine port number, address bit [4] distinguishes Tx and Rx section registers, and address bits [3:0] select the particular register in Tx and Rx sections. This register arrangement applies to each block of eight T1/E1 ports. The DS26102 contains two octal blocks that are selected with the BLS signal.

Table 9-A. Register Map

P1	P2	P3	P4	P5	P6	P7	P8	R/W	REGISTER	FUNCTION
00	—	—	—	—	—	—	—	RW	TCFR	Tx Configuration Register (Note 1)
—	20	40	60	80	A0	C0	E0	—	—	Reserved (Note 2)
01	21	41	61	81	A1	C1	E1	W	TPCL	Tx PMON Counter Latch-Enable Register
02	22	42	62	82	A2	C2	E2	R	TACC1	Tx-Assigned Cell Counter MSB (Note 3)
03	23	43	63	83	A3	C3	E3	R	TACC2	Tx-Assigned Cell Counter LSB (Note 4)
04	—	—	—	—	—	—	—	RW	TIUPB	Tx Idle/Unassigned Payload Byte (Note 1)
—	24	44	64	84	A4	C4	E4	—	—	Reserved (Note 2)
05	—	—	—	—	—	—	—	RW	THEPR	Tx HEC Error-Insertion Pattern (Note 1)
—	25	45	65	85	A5	C5	E5	—	—	Reserved (Note 2)
06	26	46	66	86	A6	C6	E6	RW	TCR1	Tx Control Register 1
07	27	47	67	87	A7	C7	E7	RW	TCR2	Tx Control Register 2
08	—	—	—	—	—	—	—	R	ISR	Interrupt Status Register (Note 1)
09 to 0F	28 to 2F	48 to 4F	68 to 6F	88 to 8F	A8 to AF	C8 to CF	E8 to EF	—	—	Reserved (Note 2)
10	—	—	—	—	—	—	—	RW	RCFR	Rx Configuration Register (Note 1)
—	30	50	70	90	B0	D0	F0	—	—	Reserved
11	—	—	—	—	—	—	—	RW	RLCDIP	Rx LCD Integration Register (Note 1)
—	31	51	71	91	B1	D1	F1	—	—	Reserved
12	32	52	72	92	B2	D2	F2	W	RPCL	Rx PMON Counter-Latch Enable
13	33	53	73	93	B3	D3	F3	R	RCHEC	Rx Correctable HEC Latch
14	34	54	74	94	B4	D4	F4	R	RUHEC1	Rx Uncorrectable HEC MSB
15	35	55	75	95	B5	D5	F5	R	RUHEC2	Rx Uncorrectable HEC LSB
16	36	56	76	96	B6	D6	F6	R	RACC1	Rx-Assigned Cell Counter MSB (Note 5)
17	37	57	77	97	B7	D7	F7	R	RACC2	Rx-Assigned Cell Counter LSB (Note 6)
18	38	58	78	98	B8	D8	F8	R	PSR	Per Port Status Register
19	39	59	79	99	B9	D9	F9	RW	RCR1	Rx Control Register 1
1A	3A	5A	7A	9A	BA	DA	FA	RW	RCR2	Rx Control Register 2
1B	3B	5B	7B	9B	BB	DB	FB	RW	RUFC	Rx User-Filter Control
1C	3C	5C	7C	9C	BC	DC	FC	RW	RUFPM1	Rx User-Filter Pattern/Mask 1
1D	3D	5D	7D	9D	BD	DD	FD	RW	RUFPM2	Rx User-Filter Pattern/Mask 2
1E	3E	5E	7E	9E	BE	DE	FE	RW	RUFPM3	Rx User-Filter Pattern/Mask 3
1F	3F	5F	7F	9F	BF	DF	FF	RW	RUFPM4	Rx User-Filter Pattern/Mask 4

P1 to P8 = Address locations (hex) for UTOPIA PHY port 1 through port 8.

Note 1: These registers are common to all ports.

Note 2: Writing into reserved address regions should be avoided. Reading from reserved address regions could give undefined value.

Note 3: Tx-assigned cell counter MSB-latch register is an 8-bit register common to all ports. It can be accessed with any of the 8 addresses. This register holds the upper 8-bit of the Tx-assigned-cell count for the port selected by accessing the Tx-PMON counter latch-enable register.

Note 4: Tx-assigned cell counter LSB-latch register is an 8-bit register common to all ports. It can be accessed with any of the 8 addresses. This register holds the lower 8-bit of the Tx-assigned cell count for the port selected by accessing the Tx-PMON counter latch-enable register.

Note 5: Rx-assigned cell counter MSB-latch register is an 8-bit register common to all ports. It can be accessed with any of the 8 addresses. This register holds the upper 8-bit of the Rx-assigned cell count for the port selected by accessing the Rx-PMON counter latch-enable register.

Note 6: Rx-assigned cell counter LSB-latch register is an 8-bit register common to all ports. It can be accessed with any of the 8 addresses. This register holds the lower 8-bit of the Rx-assigned cell count for the port selected by accessing the Rx-PMON counter latch-enable register.

Conventions:

- 1) In bit definitions, bit 7 is the most significant bit (MSB) and bit 0 is the least significant bit (LSB).
- 2) Ports can be referred with either 1 to 8 (one-based) or 0 to 7 (zero-based). While referring a port, the addressing system, either one-based or zero-based is explicitly mentioned in brackets.

- 3) Reserved bit fields should be replaced with 0 while writing and, upon reading, the value corresponding to reserved bit fields is undefined.
 4) R indicates read permission; W indicates write permission; RW indicates read/write permission for software to access a register.

10. REGISTER DEFINITIONS

10.1 Transmit Registers

Register Name: **TCFR**
 Register Description: **Transmit Configuration Register**
 Register Address: **00h (Common for All Transmit Ports)**

Bit:	7	6	5	4	3	2	1	0
Name:	—	—	—	—	TADDR1	TADDR0	TPM	TPC
Default:	0	0	0	1	0	0	0	0

Bit 0: Transmit Port Configuration (TPC). This bit affects only the Tx section.

- 0 = T1 mode
- 1 = E1 mode

Bit 1: Transmit Poll Mode (TPM). Transmit UTOPIA polling mode configuration.

- 0 = multiplexed with 1CLAV mode
- 1 = direct status

Bits 2, 3: Transmit High Address (TADDR). These bits decide which upper 2 bits of the UTOPIA address are to be used by the ATM layer for selecting one of the ports. The lower 3 bits of address are assigned to the port number 1 to 8 (one-based):

- '00' for address range 0–7
- '01' for address range 8–15
- '10' for address range 16–23
- '11' for address range 24–30*

Note that the address range selected when the BSL0 pin = 0 must be different than the address range selected when BSL0 = 1.

Bits 3 to 7: Unassigned, read only

*Address 31 (1F hex) is reserved as the null address per UTOPIA forum. When an octal block is offset to the highest UTOPIA address range, the port at address 31 becomes inactive.

Register Name: **TCR1**
 Register Description: **Transmit Control Register 1**
 Register Address: **06h, 26h, 46h, 66h, 86h, A6h, C6, E6h**

Bit:	7	6	5	4	3	2	1	0
Name:	—	TPEDIM	TPRS	TPSE	TCRDS	TCAE	THEIE	THIE
Default:	0	0	0	0	0	1	0	1

Bit 0: Transmit HEC Insertion Enable (THIE)

0 = HEC byte as received from the ATM layer is transparently passed.
 1 = proper HEC value is computed and inserted into the HEC byte of the cell.

Bit 1: Transmit HEC Error-Insertion Enable (THEIE)

0 = HEC error insertion disabled
 1 = HEC errors are introduced into the transmitted cells, as specified by the transmit HEC error-insertion pattern register.

Bit 2: Transmit COSET Addition Enable (TCAE)

0 = no COSET addition
 1 = COSET (0x55) addition to the calculated HEC. Note that if HEC insertion is disabled, the HEC byte is transmitted transparently (this bit does not affect ATM layer cells). However, the HEC byte of idle/unassigned cells used for cell-rate decoupling includes COSET addition as long as the TCAE bit is enabled.

Bit 3: Transmit Cell-Rate Decoupling Selection (TCRDS)

0 = idle cell
 1 = unassigned cell

Bit 4: Transmit Payload Scrambling Enable (TPSE)

0 = disable scrambling
 1 = enable scrambling

Bit 5: Transmit Parity Select (TPRS). This bit determines the parity mode expected on the UT_PAR signal.

0 = odd parity check selected for transmit UTOPIA bus
 1 = even parity check selected for transmit UTOPIA bus

Bit 6: Transmit Parity Error-Detect Interrupt Mask (TPEDIM)

0 = DS26102 does NOT generate an external interrupt on a Tx parity error.
 1 = DS26102 does generate an external interrupt on a Tx parity error.

Bit 7: Unassigned, must be set to 0 for proper operation

Register Name: **TCR2**
 Register Description: **Transmit Control Register 2**
 Register Address: **07h, 27h, 47h, 67h, 87h, A7h, C7h, E7h**

Bit:	7	6	5	4	3	2	1	0
Name:	—	TLICS	FDC1	FDC0	TCES	TAES	TPLIM	TFSD
Default:	0	0	0	0	0	0	0	0

Bit 0: Transmit Frame-Sync Direction (TFSD)

- 0 = UTOPIA block accepts a transmit frame sync (TFP is an input).
- 1 = UTOPIA block generates a frame sync (TFP is an output).

Bit 1: Transmit Physical-Layer Interface Mode (TPLIM)

- 0 = clock + data + frame-pulse-indication combination
- 1 = gapped clock + data combination

Bit 2: Transmit Active-Edge Selection (TAES)

- 0 = positive edge of TCLK as timing reference
- 1 = negative edge of TCLK as timing reference

Bit 3: Transmit Clear E1 Selection (TCES)

- 0 = channelized E1 (data at TS0 and TS16 is ignored)
- 1 = clear E1 (all E1 channels are used)

Bits 4, 5: Transmit FIFO Depth Configuration Bits (FDC1, FDC0)

FDC1	FDC0	Cell Depth
0	0	4
0	1	3
1	0	2
1	1	Reserved

Bit 6: Transmit Line Interface Clock Selection (TLICS)

- 0 = The T1/E1 clock from the framer (TCLKx) is used at the transmit line interface.
- 1 = The internally generated system clock divided by 8 is used at the transmit line interface.

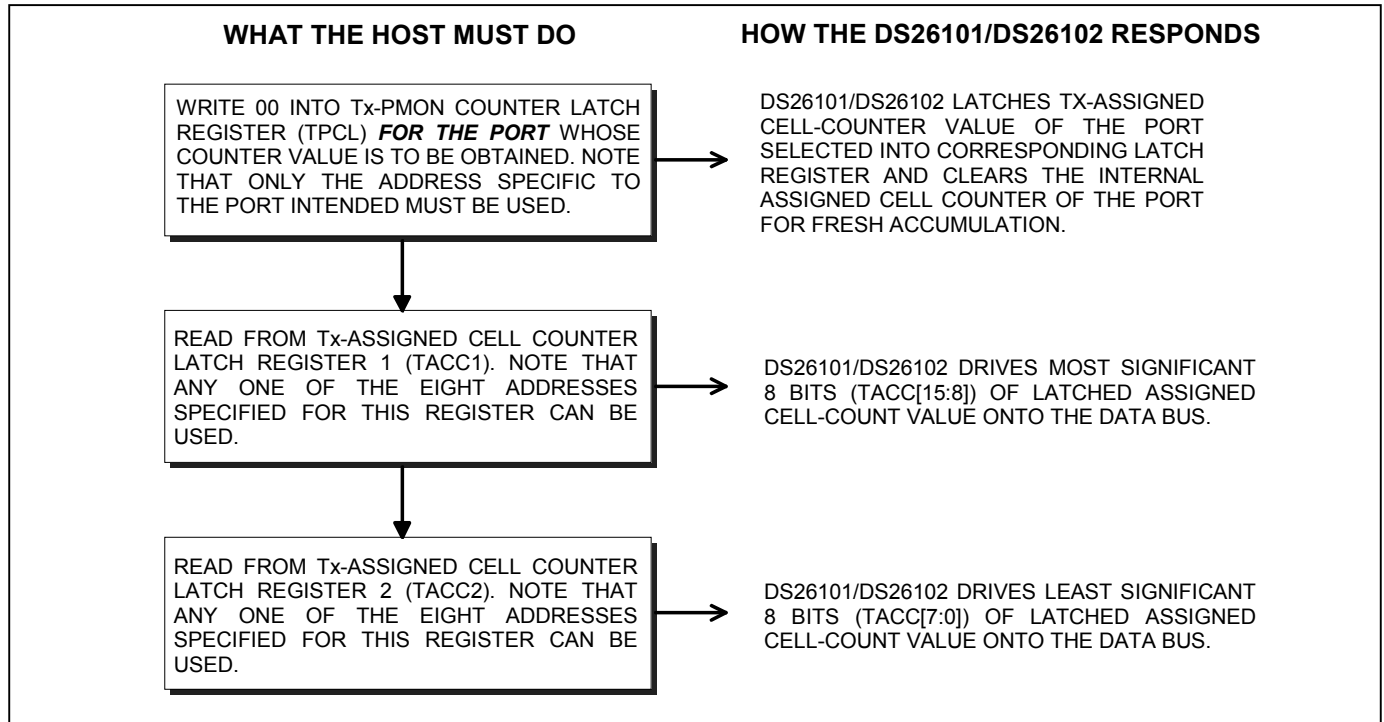
Bit 7: Unassigned, must be set to 0 for proper operation

Register Name: **TPCL**
 Register Description: **Transmit PMON Counter Latch**
 Register Address: **01h, 21h, 41h, 61h, 81h, A1h, C1h, E1h**

Bit:	7	6	5	4	3	2	1	0
Name:	—	—	—	—	—	—	—	—
Default:	0	0	0	0	0	0	0	0

Bits 0 to 7: The host should always write 0x00 to this register when latching the PMON counter. This register is provided for latching in the 16-bit transmit-assigned cell-count value of a port into the common transmit-assigned cell-counter latch register. In order to read the transmit-assigned cell-count value, software writes into this register and then reads from the Tx-assigned cell counter MSB and LSB registers. A write into this register clears the value. [Figure 10-1](#) depicts the sequence of operation for accessing the Tx-assigned cell counter (TACC) for a given port.

Figure 10-1. Accessing Tx PMON Counter



Register Name: **TACC1**
 Register Description: **Transmit-Assigned Cell-Count Register 1**
 Register Address: **02h, 22h, 42h, 62h, 82h, A2h, C2h, E2h (Common to All Ports)**

Bit:	7	6	5	4	3	2	1	0
Name:	TACC15	TACC14	TACC13	TACC12	TACC11	TACC10	TACC9	TACC8
Default:	0	0	0	0	0	0	0	0

Bits 0 to 7: Transmit-Assigned Cell Count (TACC8 to TACC15). This register is read-only.

Register Name: **TACC2**
 Register Description: **Transmit-Assigned Cell-Count Register 2**
 Register Address: **03h, 23h, 43h, 63h, 83h, A3h, C3h, E3h (Common to All Ports)**

Bit	7	6	5	4	3	2	1	0
Name	TACC7	TACC6	TACC5	TACC4	TACC3	TACC2	TACC1	TACC0
Default	0	0	0	0	0	0	0	0

Bits 0 to 7: Transmit-Assigned Cell Count (TACC0 to TACC7). This register is read-only. These registers are common for all ports. For software convenience, any of the eight addresses can be used to access these registers. The transmit-assigned cell-count value reflects the number of ATM layer cells transmitted since last latching. For reading the 16-bit transmit-assigned cell count for a port, software must write into the transmit-PMON counter latch-enable register for the desired port prior to reading these registers. Reading from these registers without writing into the latch-enable register returns the old value that was latched and not the current value.

Register Name: **TIUPB**
 Register Description: **Transmit Idle/Unassigned Payload Byte Register**
 Register Address: **04h (Common for All Transmit Ports)**

Bit:	7	6	5	4	3	2	1	0
Name:	TIUP7	TIUP6	TIUP5	TIUP4	TIUP3	TIUP2	TIUP1	TIUP0
Default:	0	1	1	0	1	0	1	0

Bits 0 to 7: Transmit Idle/Unassigned Payload (TIUP0 to TIUP7). This register holds the payload byte to be carried in octets of idle/unassigned cells, transmitted toward the line for cell-rate decoupling. This register defaults to the value 6Ah.

Register Name: **THEPR**
 Register Description: **Transmit HEC Error-Insertion Pattern Register**
 Register Address: **05h (Common for All Transmit Ports)**

Bit:	7	6	5	4	3	2	1	0
Name:	HOFFP4	HOFFP3	HOFFP2	HOFFP1	HOFFP0	HONP2	HONP1	HONP0
Default:	0	0	1	0	1	0	0	1

Bits 0 to 2: HEC On Period (HONP0 to HONP2). This register holds the number of cells in which incorrect HEC (HEC error insertion is ON) is sent, if HEC error insertion is enabled.

Bits 3 to 7: HEC Off Period (HOFFP0 to HOFFP4). This register holds the number of cells in which correct HEC (HEC error insertion is OFF) is sent, if HEC error insertion is enabled.

If HEC error insertion in the transmit control register is enabled for a port (THEIE = 1), then for the “HEC off period” cells are transmitted to the port with correct HEC; for the “HEC on period” cells are sent with incorrect HEC. This cycle repeats until HEC error insertion is disabled. Note that HEC errors are inserted according to the above pattern as long as THEIE is set, whether HEC insertion (THIE) is enabled or not.

10.2 Status Registers

Register Name: **PSR**
 Register Description: **Port Status Register**
 Register Address: **18h, 38h, 58h, 78h, 98h, B8h, D8h, F8h**

Bit:	7	6	5	4	3	2	1	0
Name:	EXSTAT	TPED	CDS1	CDS0	RMS	LCDS	LCDCSIS	FOIS
Default:	0	0	0	0	0	1	0	0

Bit 0: Receive FIFO-Overrun Interrupt Status (FOIS). This status bit is set when the receive FIFO overruns. It creates an interrupt on the $\overline{\text{INT}}$ pin if the Rx FIFO-overrun interrupt mask bit (RCR2.3) is set. This bit is reset when read.

Bit 1: LCD Change-of-State Interrupt Status (LCDCSIS). This status bit is set when LCD status changes. It creates an interrupt on the $\overline{\text{INT}}$ pin if the LCD interrupt mask bit (RCR2.4) is set. This bit is reset when read.

Bit 2: LCD Status (LCDS). The LCDS bit indicates the current status of LCD.
 0 = in-cell delineation
 1 = loss-of-cell delineation

Bit 3: Receiver Mode Status (RMS). This bit shows valid status only when HEC correction is enabled.
 0 = correction mode
 1 = detection mode

Bits 4, 5: Cell Delineation Status 0, 1 (CDS0, CDS1). These bits show the cell delineation status. Bit 5 indicates instantaneous OCD status.

CDS1	CDS0	Cell Delineation Status
0	0	HUNT State
0	1	PRESYNC State
1	x	SYNC State

Bit 6: Transmit Parity Error Detect (TPED). This bit is set for each transmit parity error that is detected on the transmit UTOPIA interface. It can generate an interrupt when enabled by TPEDIM in TCR1. This bit is reset if read access to this register is detected.

Bit 7: External Status Event (EXSTAT). This bit is set on the rising edge of the signal applied to the associated EXSTAT signal. It can generate an interrupt when enabled by EXSTATIM in RCR2. This bit is reset if read access to this register is detected. EXSTAT1 maps to this bit in the PSR for port 1 (18h) up to EXSTAT8, which maps to the PSR for port 8 (F8h).

A typical application might connect the 1SECOUT signal created by the DS26102 to one of the EXSTAT signals so that an interrupt can be created on 1-second boundaries. The EXSTAT signals, however, can also be used to provide microprocessor access to board-level hardware-status pins or an off-chip interval timer.

Register Name: **ISR**
 Register Description: **Interrupt Status Register**
 Register Address: **08h (Common for All Ports)**

Bit:	7	6	5	4	3	2	1	0
Name:	PSR8	PSR7	PSR6	PSR5	PSR4	PSR3	PSR2	PSR1
Default:	0	0	0	0	0	0	0	0

The ISR register reports which of the 8 ports are currently generating interrupts. ISR.0 reports the status for port 1 (18h), while ISR.7 reports the status for port 8 (F8h). When the associated port's status register is read (and consequently cleared), the associated bit in this register is also cleared. Note that only status bits that are enabled to generate an interrupt (i.e., the interrupt mask bit is set) set the reporting bit in this register.

10.3 Receive Registers

Register Name: **RCFR**
 Register Description: **Receive Configuration Register**
 Register Address: **10h (Common for All Receive Ports)**

Bit:	7	6	5	4	3	2	1	0
Name:	—	—	—	—	RADDR1	RADDR0	RUPM	RPC
Default:	0	0	0	1	0	0	0	0

Bit 0: Receive Port Configuration (RPC). This bit affects only the Rx section.

0 = T1 mode

1 = E1 mode

Bit 1: Receive Polling Mode (RUPM)

0 = multiplexed with 1CLAV mode

1 = direct status

Bits 2, 3: Receive High Address (RADDR). These bits decide which upper 2 bits of the UTOPIA address are to be used by the ATM layer for selecting one of the ports. The lower 3 bits of address are assigned to port number 1 to 8 (one-based):

'00' for address range 0–7

'01' for address range 8–15

'10' for address range 16–23
 '11' for address range 24–30*

Note that the address range selected when the BSL0 pin = 0 must be different than the address range selected when BSL0 = 1.

Bits 4 to 7: Unassigned, read only

*Address 31 (1F hex) is reserved as the null address per UTOPIA forum. When an octal block is offset to the highest UTOPIA address range, the port at address 31 becomes inactive.

Register Name: **RCR1**
 Register Description: **Receive Control Register 1**
 Register Address: **19h, 39h, 59h, 79h, 99h, B9h, D9h, F9h**

Bit:	7	6	5	4	3	2	1	0
Name:	—	RPRS	RUCFE	RICFE	RPHEC	RDE	RHECE	RCSE
Default:	0	0	0	0	0	0	0	1

Bit 0: Receive COSET Subtraction Enable (RCSE)

0 = DS26102 does NOT do COSET subtraction from HEC byte for checking HEC.
 1 = DS26102 subtracts COSET polynomial (0x55) from the HEC byte for checking HEC.

Bit 1: Receive HEC Error-Correction Enable (RHECE)

0 = single-bit HEC error correction is disabled.
 1 = The DS26102 corrects single-bit HEC errors based on the current state of receiver mode of operation. Single-bit error correction is done only if this bit is set and the receiver mode of operation is in CORRECTION state.

Bit 2: Receive Descrambling Enable (RDE)

0 = payload descrambling is disabled.
 1 = payload descrambling is enabled. Payload of cells received in the PRESYNC and SYNC states of cell delineation are descrambled, based on the self-synchronizing polynomial $X^{43} + 1$. The cell header is unaffected by descrambling.

Bit 3: Receive Pass HEC-Errored Cells (RPHEC)

0 = DS26102 passes only error-free and error-corrected cells to the ATM layer.
 1 = DS26102 passes all received cells, including HEC errored cells to the ATM layer when cell delineation is in SYNC.

Bit 4: Receive Idle Cell-Filter Enable (RICFE)

0 = DS26102 does NOT filter idle cells.
 1 = DS26102 filters all idle cells received from being written into receive FIFO. The cell header of idle cell (first 5 bytes) is 0x00, 0x00, 0x00, 0x01, and proper HEC byte. Cell payload is not considered for idle cell filtering.

Bit 5: Receive Unassigned Cell-Filter Enable (RUCFE)

0 = DS26102 does NOT filter unassigned cells.
 1 = DS26102 filters all unassigned cells received from being written into receive FIFO. The cell header of unassigned cell (first five bytes) is 0x00, 0x00, 0x00, 0x00 and proper HEC byte. Cell payload is not considered for unassigned cell filtering.*

Bit 6: Receive Parity Select (RPRS). This bit determines the parity type for the UR_PAR signal.

0 = odd parity calculated for receive UTOPIA bus
 1 = even parity calculated for receive UTOPIA bus

Bit 7: Unassigned, must be set to 0 for proper operation

*The header pattern of an unassigned cell is 0x00, 0x00, 0x00, 0x00, and proper HEC byte. The header pattern of an idle cell is 0x00, 0x00, 0x00, 0x01, and proper HEC byte for the first 4 bytes. Note that, for cell filtering, only the header pattern (payload is don't care) is checked.

Register Name: **RCR2**
 Register Description: **Receive Control Register 2**
 Register Address: **1Ah, 3Ah, 5Ah, 7Ah, 9Ah, BAh, DAh, FAh**

Bit:	7	6	5	4	3	2	1	0
Name:	—	—	EXSTATIM	LCDIM	RFOIM	RAES	RPLIM	DLBE
Default:	0	0	0	0	0	0	0	0

Bit 0: Diagnostic Loopback Enable (DLBE)

0 = normal operation

1 = diagnostic loopback is enabled. In this loopback, the transmit data and clock is looped back onto the receive side. The Rx physical interface mode should be configured with the same value as the Tx physical interface mode. The Rx active-edge selection bit should be configured as the opposite edge of that used by the transmit section of the DS26102. It is possible to use the internally generated SYS_CLK/8 in place of TCLK for this mode, enabled with (TCR2.6).

Bit 1: Receive Physical-Layer Interface Mode (RPLIM)

0 = clock + data + frame-pulse combination

1 = gapped clock + data combination

Bit 2: Receive Active Clock-Edge Selection (RAES)

0 = positive edge of receive line clock is used for sampling input line signals.

1 = negative edge of receive line clock is used for sampling.

Bit 3: Receive FIFO Overrun Interrupt Mask (RFOIM)

0 = DS26102 does NOT generate an external interrupt for receive FIFO-overrun events.

1 = DS26102 generates an external interrupt if a receive FIFO-overrun condition has occurred.

Bit 4: LCD Interrupt Mask (LCDIM)

0 = DS26102 does NOT generate external interrupt for LCD state changes.

1 = DS26102 does generate an external interrupt if the LCD state has changed.

Bit 5: External Status Event Interrupt Mask (EXSTATIM)

0 = DS26102 does NOT generate an external interrupt on the EXSTAT signal.

1 = DS26102 generates an external interrupt on the rising edge of the EXSTAT signal associated with the enabled port.

Bits 6, 7: Unassigned, must be set to 0 for proper operation

10.3.1 Additional Receive Control Information

The active edge of the line clock used for sampling the input signals from the physical layer, namely data and frame-pulse-indication signals, are programmed to use the opposite edge of the active edge, which is used by the physical layer (framer). For example, if the physical layer uses the positive edge of the receive line clock to launch data and frame-pulse-indication signals, then the receive active-line clock-edge selection bit is programmed to 1, so that the receive line interface block uses the negative edge to sample the incoming signals. In diagnostic loopback, the receive active-line clock edge is programmed to use the opposite edge as that of the transmit interface. So, the receive active-line clock-edge selection (RAES) is programmed inverted from the transmit active-line clock-edge selection (TAES) during diagnostic loopback.

The receive physical-layer interface mode determines the protocol used in the receive interface for sampling data bits. In gapped clock and data combination, the data bits are sampled at every line clock. The receive line clock is gapped at the framing-overhead-bit location. In clock, data, and frame-pulse-indication combination, data bits coming with frame-pulse indication asserted are ignored in the T1 case. In the E1 case, frame-pulse indication is used to locate TS0 and TS16 slots, and data bits coming at these time slots are ignored. In the clear E1 case, the interface should be configured in gapped clock and data combination even though the clock may not be gapped.

For clear E1, data bits are sampled by the receive section at every clock tick, and the external frame-pulse indication is ignored.

The receive FIFO-overflow condition indicates that the receive FIFO has been filled with 4 cells before the ATM layer has read the FIFO. The four cells that caused the receive FIFO-overflow condition remain intact in the receive FIFO, and subsequent cells are not written into memory until the ATM layer reads at least one cell through the UTOPIA II interface.

Register Name: **RLCDIP**
 Register Description: **Receive LCD Integration Period**
 Register Address: **11h (Common for All Receive Ports)**

Bit:	7	6	5	4	3	2	1	0
Name:	RLIP7	RLIP6	RLIP5	RLIP4	RLIP3	RLIP2	RLIP1	RLIP0
Default:	0	1	1	0	0	1	1	0

Bits 0 to 7: Receive LCD Integration Period (RLIP0 to RLIP7). This 8-bit register holds the value of the LCD integration period (the time the cell delineation condition must persist before the DS26102 declares LCD). The DS26102 also deasserts the LCD indication once cell delineation is maintained in the SYNC state for the amount of time programmed in this register. LCD state-change condition can be programmed to generate an external interrupt through RCR2.4. A value of 0 programmed into this register declares LCD for every OCD condition at the resolution of the internal system clock period x 16,383. The value to be used in this register can be determined as follows:

$$\text{Register value to be programmed} = (\text{Integration time needed}) / (\text{System clock period} \times 16,383)$$

E.g., for a system clock period of 60ns and desired integration time of 100ms, the register value should be:

$$100,000,000\text{ns} / (60\text{ns} \times 16,383) = 66\text{h}$$

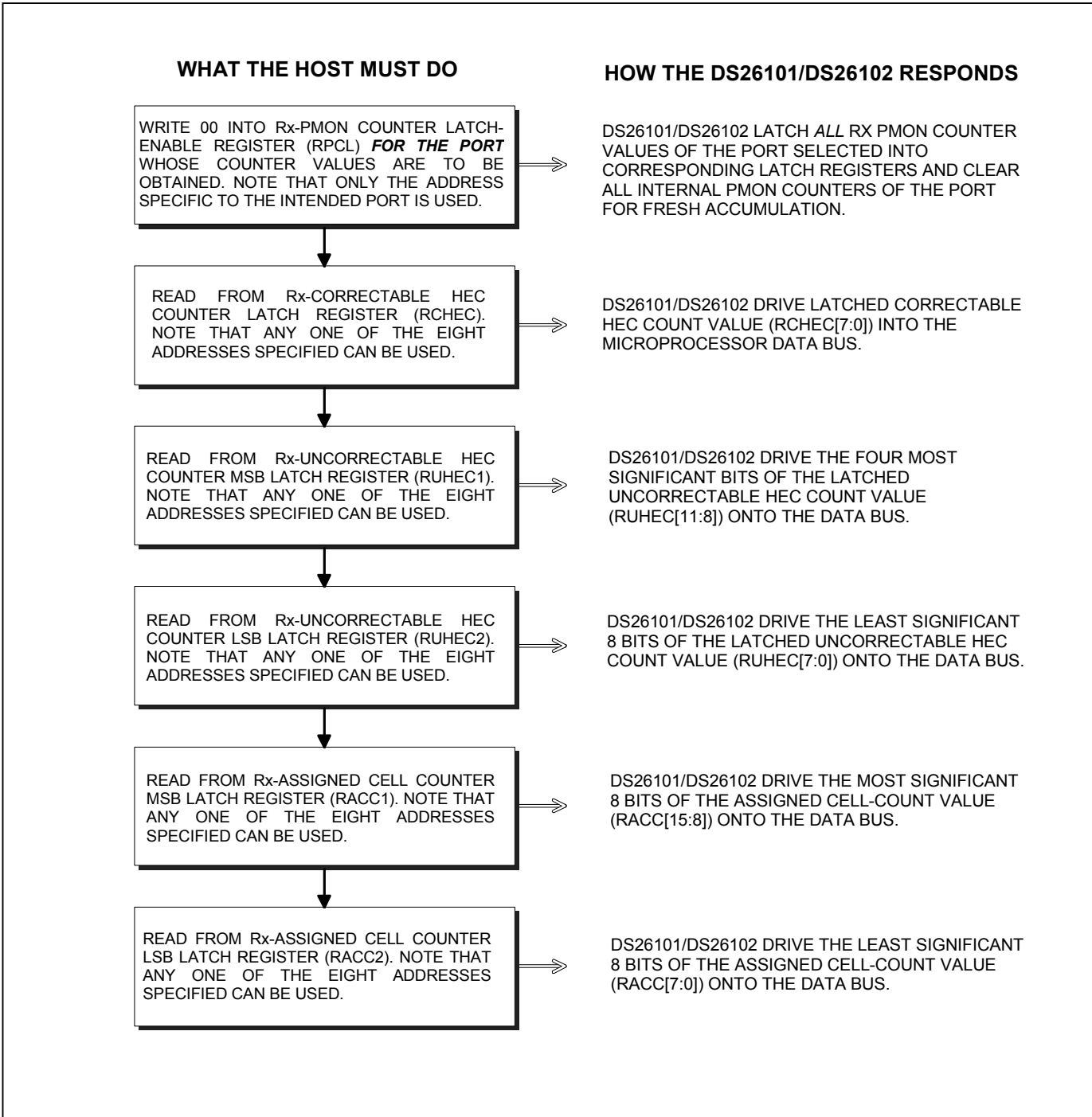
Register Name: **RPCL**
 Register Description: **Receive-PMON Counter Latch Enable**
 Register Address: **12h, 32h, 52h, 72h, 92h, B2h, D2h, F2h**

Bit:	7	6	5	4	3	2	1	0
Name:	—	—	—	—	—	—	—	—
Default:	0	0	0	0	0	0	0	0

Bits 0 to 7: The host should always write 0x00 to this register when latching the receive PMON counter. Writing 0x00 to this register latches all receive-PMON counter values for the given port. Namely, the 16-bit receive-assigned cell-count value, 12-bit receive uncorrectable HEC-count value, and 8-bit receive correctable HEC-count value of a port is latched into the associated registers. A write into this register also clears the receive PMON counters for that port. [Figure 10-2](#) depicts the sequence of operation to be performed for accessing Rx PMON counters for a port.

For example, if port 8's (one-based) Rx-assigned cell-count value is to be read, software must first write into Rx-PMON counter-latch enable register at 0xF2 and then read from Rx-assigned cell counter MSB-latch register at 0xF6 and Rx-assigned cell counter LSB register at 0xF7. Note that all Rx PMON counters maintained for port 8 are reset as the RPCL register is accessed. Thus, it is recommended that all Rx PMON counters be read together by following the sequence depicted in [Figure 10-2](#).

Figure 10-2. Accessing Rx PMON Counters



Register Name: **RCHEC**
 Register Description: **Receive Correctable-HEC Counter**
 Register Address: **13h, 33h, 53h, 73h, 93h, B3h, D3h, F3h (Common to All Ports)**

Bit:	7	6	5	4	3	2	1	0
Name:	RCHC7	RCHC6	RCHC5	RCHC4	RCHC3	RCHC2	RCHC1	RCHC0
Default:	0	0	0	0	0	0	0	0

Bits 0 to 7: Receive Correctable-HEC Counter (RCHC0 to RCHC7). This register holds the number of correctable HEC-errored cells received since the last latching. Note that this count corresponds to cells received when cell delineation is in SYNC. A correctable HEC-errored cell is a cell with single-bit error, provided single-bit HEC error correction is enabled through RCR1.1 and the receiver mode of operation is in correction mode. Correctable-HEC count value is not affected if HEC-error correction is disabled.

Register Name: **RUHEC1**
 Register Description: **Receive Uncorrectable-HEC Counter Register 1**
 Register Address: **14h, 34h, 54h, 74h, 94h, B4h, D4h, F4h (Common to All Ports)**

Bit:	7	6	5	4	3	2	1	0
Name:	—	—	—	—	RUHC11	RUHC10	RUHC9	RUHC8
Default:	0	0	0	0	0	0	0	0

Bits 0 to 3: Receive Uncorrectable-HEC Counter (RUHC8 to RUHC11)

Bits 4 to 7: Unused

Register Name: **RUHEC2**
 Register Description: **Receive Uncorrectable-HEC Counter Register 2**
 Register Address: **15h, 35h, 55h, 75h, 95h, B5h, D5h, F5h (Common to All Ports)**

Bit:	7	6	5	4	3	2	1	0
Name:	RUHC7	RUHC6	RUHC5	RUHC4	RUHC3	RUHC2	RUHC1	RUHC0
Default:	0	0	0	0	0	0	0	0

Bits 0 to 7: Receive Uncorrectable-HEC Counter (RUHC0 to RUHC7). The RUHEC1 and RUHEC2 registers count the number of uncorrectable HEC-errored cells received since the last latching. Note that this count corresponds to cells received when cell delineation is in SYNC. For every SYNC-to-HUNT transition of the cell delineation state machine, the “Correctable + Uncorrectable” error-count value increases by 6 instead of 7. If HEC correction is enabled, for every SYNC-to-HUNT transition, the correctable HEC count increases by 1 and the uncorrectable HEC count increases by 5. If HEC correction is disabled, correctable HEC count is not affected and uncorrectable HEC count increases by 6. Note that upon the reception of the 7th consecutive HEC pattern, cell delineation goes to HUNT state. Receive PMON counters are not updated when cell delineation is out of SYNC state. Note that write access to the RPCL register latches internal receive-PMON values and clear the counters.

Uncorrectable HEC-error cell means:

If HEC-error correction is enabled (RHECE = 1)

```
{
    Cell with multibit HEC error in cell header
    OR
    Cell with single-bit HEC error in cell header, provided receiver mode of operation is
    in detection mode
}
else
{
    Cell with either single bit or multibit HEC error in cell header
}
```

Note that this count corresponds to cells received when cell delineation is in SYNC.

Register Name: **RACC1**
 Register Description: **Receive-Assigned Cell-Count Register 1**
 Register Address: **16h, 36h, 56h, 76h, 96h, B6h, D6h, F6h (Common to All Ports)**

Bit:	7	6	5	4	3	2	1	0
Name:	RACC15	RACC14	RACC13	RACC12	RACC11	RACC10	RACC9	RACC8
Default:	0	0	0	0	0	0	0	0

Bits 0 to 7: Receive-Assigned Cell Count 8 to 15 (RACC8 to RACC15)

Register Name: **RACC2**
 Register Description: **Receive-Assigned Cell-Count Register 2**
 Register Address: **17h, 37h, 57h, 77h, 97h, B7h, D7h, F7h (Common to All Ports)**

Bit:	7	6	5	4	3	2	1	0
Name:	RACC7	RACC6	RACC5	RACC4	RACC3	RACC2	RACC1	RACC0
Default:	0	0	0	0	0	0	0	0

Bits 0 to 7: Receive-Assigned Cell Count 0 to 7 (RACC0 to RACC7). The RACC1 and RACC2 registers are common registers for all ports. For software convenience, any of the eight addresses can be used to access these registers. For reading the 16-bit receive-assigned cell count for a port, software must write into the RPCL register for the port before reading from these registers. Reading from these registers without writing into the latch-enable register returns the old value that was latched and not the current value of the receive-assigned cell count of a port. The assigned cell-count value reflects the number of cells written into the receive FIFO that can be read by the ATM layer since last latching. Note that, whether or not the ATM layer dequeues cells from the receive FIFO, the assigned cell counter of a port is incremented upon the reception of a valid ATM layer cell, as long as the cell delineation is in SYNC state.

A valid ATM layer cell is defined as:

```
If (HEC-errored cells are programmed to be passed to ATM layer (RPHEC = 1))
{
    Cell received when cell delineation is in SYNC state
}
else
{
    Cell with correct HEC
    OR
    if (HEC-error correction is enabled (RHECE=1))
    {
        Cell with single-bit HEC error in cell header, provided receiver mode is in
        correction
    }
}
```

Note that this count corresponds to cells received when cell delineation is in SYNC.

10.3.2 User-Programmable Cell Filtering

User-programmable cell filtering allows the user to define a maskable pattern for each of the 4 bytes in the cell header so that the DS26102 either filters (rejects) all matching receive cells, or alternately only accepts cells that match the predefined pattern. Five registers are defined for this function per port. This function is an addition to the DS26102's ability to filter standard idle/unassigned cells. The user must program a filter pattern in the RUFPM1–4 registers by setting the UFPMS (RUF.C.2) bit = 0, then program the mask, or "don't care" pattern, in the RUFPM1–4 registers by setting the UFPMS bit = 1.

Register Name: **RUFC**
 Register Description: **Receive User-Filter Control**
 Register Address: **1Bh, 3Bh, 5Bh, 7Bh, 9Bh, BBh, DBh, FBh**

Bit:	7	6	5	4	3	2	1	0
Name:	—	—	—	—	—	UFPMS	UFMS	UFEN
Default:	0	0	0	0	0	0	0	0

Bit 0: User-Filter Enable (UFEN)

- 0 = do not apply the user-defined filter.
- 1 = filter incoming cells based on the UFPM registers

Bit 1: User-Filter-Mode Select (UFMS)

- 0 = reject (block) all cells that match the user-defined pattern and mask.
- 1 = accept (pass) only the cells that match the user-defined pattern and mask.

Bit 2: User-Filter Pattern/Mask Select (UFPMS). This bit must be set = 0 to enter the filter pattern, and then set = 1 to enter the filter mask.

- 0 = user-filter pattern/mask (UFPM) registers are enabled as pattern mode.
- 1 = user-filter pattern/mask (UFPM) registers are enable as mask mode.

Bits 3 to 7: Unassigned, must be set to 0 for proper operation

Register Name: **RUFPM1**
 Register Description: **Receive User-Filter Pattern/Mask Register 1**
 Register Address: **1Ch, 3Ch, 5Ch, 7Ch, 9Ch, BCh, DCh, FCh**

Bit:	7	6	5	4	3	2	1	0
Name:	H1.7	H1.6	H1.5	H1.4	H1.3	H1.2	H1.1	H1.0
Default:	0	0	0	0	0	0	0	0

Bits 0 to 7: Receive User-Filter Pattern/Mask 1 (UFPM1[7:0]). When UFPMS = 0, this register can be programmed with the cell header pattern to match with the first octet (H1) of the received ATM cell.

When UFPMS = 1, this register can be programmed with cell header mask associated with the first octet (H1). A logic 1 in any mask bit enables the comparison of the corresponding pattern bit to the header bit. An FFh in this register enables matching of all 8 bits in pattern register 1. A logic 0 causes the masking of the corresponding bit (essentially a don't care in the match).

Register Name: **RUFPM2**
 Register Description: **Receive User-Filter Pattern/Mask Register 2**
 Register Address: **1Dh, 3Dh, 5Dh, 7Dh, 9Dh, BDh, DDh, FDh**

Bit:	7	6	5	4	3	2	1	0
Name:	H2.7	H2.6	H2.5	H2.4	H2.3	H2.2	H2.1	H2.0
Default:	0	0	0	0	0	0	0	0

Bits 0 to 7: Receive User-Filter Pattern/Mask 2 (UFPM2[7:0]). When UFPMS = 0, this register can be programmed with the cell header pattern to match with the second octet (H2) of the received ATM cell.

When UFPMS = 1, this register can be programmed with the cell header mask associated with the second octet (H2). A logic 1 in any mask bit enables the comparison of the corresponding pattern bit to the header bit. An FFh in this register enables matching of all 8 bits in pattern register 2. A logic 0 causes the masking of the corresponding bit (essentially a don't care in the match).

Register Name: **RUFPM3**
 Register Description: **Receive User-Filter Pattern/Mask Register 3**
 Register Address: **1Eh, 3Eh, 5Eh, 7Eh, 9Eh, BEh, DEh, FEh**

Bit:	7	6	5	4	3	2	1	0
Name:	H3.7	H3.6	H3.5	H3.4	H3.3	H3.2	H3.1	H3.0
Default:	0	0	0	0	0	0	0	0

Bits 0 to 7: Receive User-Filter Pattern/Mask 3 (UFPM3[7:0]). When UFPMS = 0, this register can be programmed with the cell header pattern to match with the third octet (H3) of the received ATM cell.

When UFPMS = 1, this register can be programmed with the cell header mask associated with the third octet (H3). A logic 1 in any mask bit enables the comparison of the corresponding pattern bit to the header bit. An FFh in this register enables matching of all 8 bits in pattern register 3. A logic 0 causes the masking of the corresponding bit (essentially a don't care in the match).

Register Name: **RUFPM4**
 Register Description: **Receive User-Filter Pattern/Mask Register 4**
 Register Address: **1Fh, 3Fh, 5Fh, 7Fh, 9Fh, BFh, DFh, FFh**

Bit:	7	6	5	4	3	2	1	0
Name:	H4.7	H4.6	H4.5	H4.4	H4.3	H4.2	H4.1	H4.0
Default:	0	0	0	0	0	0	0	0

Bits 0 to 7: Receive User-Filter Pattern/Mask 4 (UFPM4[7:0]). When UFPMS = 0, this register can be programmed with the cell header pattern to match with the fourth octet (H4) of the received ATM cell.

When UFPMS = 1, this register can be programmed with the cell header mask associated with the fourth octet (H4). A logic 1 in any mask bit enables the comparison of the corresponding pattern bit to the header bit. An FFh in this register enables matching of all 8 bits in pattern register 4. A logic 0 causes the masking of the corresponding bit (essentially a don't care in the match).

11. JTAG BOUNDARY SCAN ARCHITECTURE AND TEST ACCESS PORT

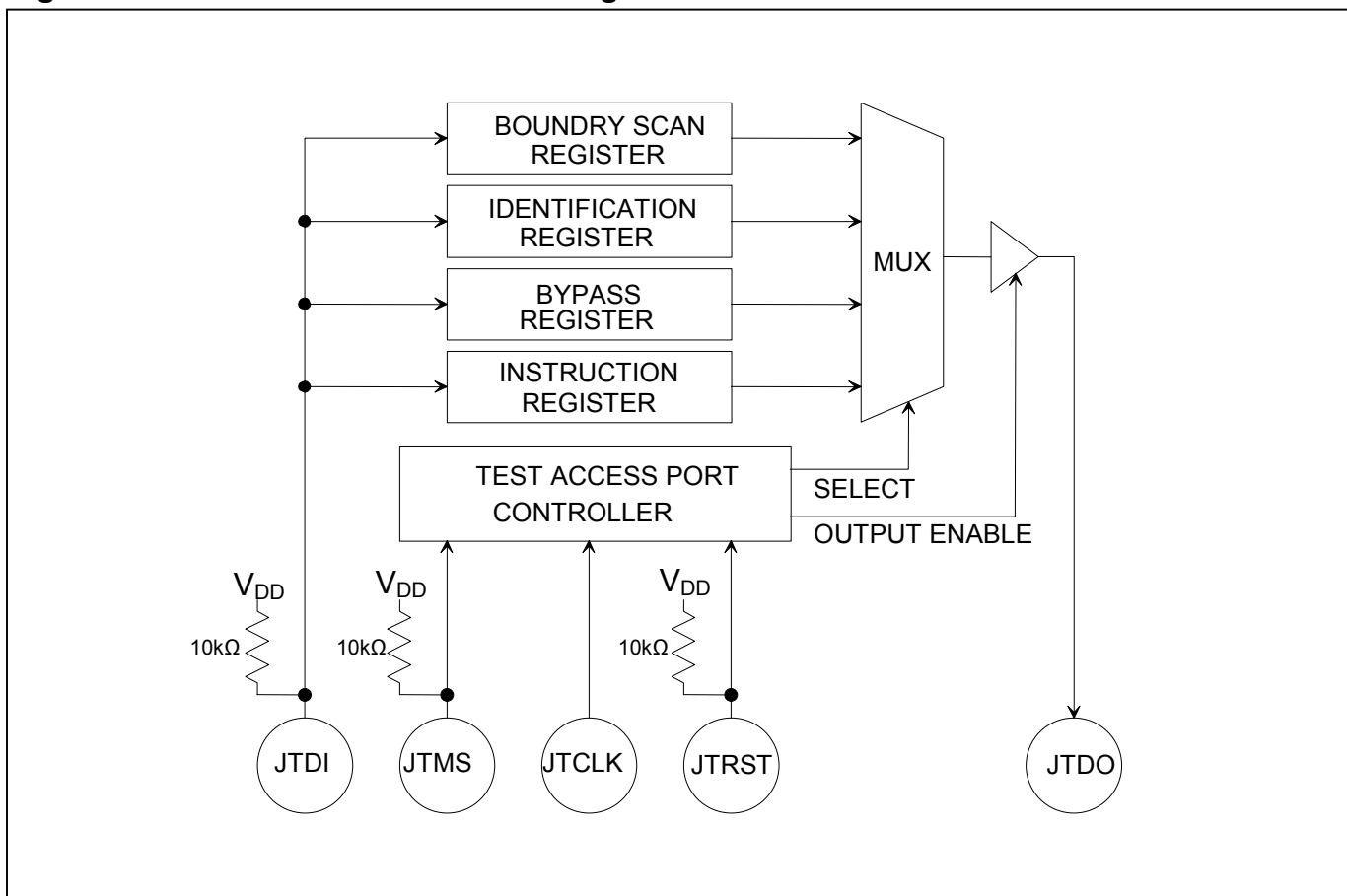
The DS26102 IEEE 1149.1 design supports the standard instruction codes SAMPLE/PRELOAD, BYPASS, and EXTEST. Optional public instructions included are HIGHZ, CLAMP, and IDCODE ([Table 11-A](#)). The DS26102 contains the following functions, as required by IEEE 1149.1 Standard Test Access Port and Boundary Scan Architecture.

Test Access Port (TAP)
TAP Controller
Instruction Register

Bypass Register
Boundary Scan Register
Device Identification Register

The TAP has the necessary interface pins JTRST, JTCLK, JTMS, JTDI, and JTDO. See the pin descriptions for details.

Figure 11-1. JTAG Functional Block Diagram



TAP Controller State Machine. The TAP controller is a finite state machine that responds to the logic level at JTMS on the rising edge of JTCLK ([Figure 11-2](#)).

Test-Logic-Reset. Upon power-up, the TAP controller is in the Test-Logic-Reset state. The instruction register contains the IDCODE instruction. All system logic of the device operates normally.

Run-Test-Idle. The Run-Test-Idle is used between scan operations or during specific tests. The instruction register and test registers remain idle.

Select-DR-Scan. All test registers retain their previous state. With JTMS LOW, a rising edge of JTCLK moves the controller into the Capture-DR state and initiates a scan sequence. JTMS HIGH during a rising edge on JTCLK moves the controller to the Select-IR-Scan state.

Capture-DR. Data can be parallel-loaded into the test data registers selected by the current instruction. If the instruction does not call for a parallel load or the selected register does not allow parallel loads, the test register remains at its current value. On the rising edge of JTCLK, the controller goes to the Shift-DR state if JTMS is LOW or it goes to the Exit1-DR state if JTMS is HIGH.

Shift-DR. The test data register selected by the current instruction is connected between JTDI and JTDO and shifts data one stage toward its serial output on each rising edge of JTCLK. If a test register selected by the current instruction is not placed in the serial path, it maintains its previous state.

Exit1-DR. While in this state, a rising edge on JTCLK puts the controller in the Update-DR state, which terminates the scanning process, if JTMS is HIGH. A rising edge on JTCLK with JTMS LOW puts the controller in the Pause-DR state.

Pause-DR. Shifting of the test registers is halted while in this state. All test registers selected by the current instruction retain their previous state. The controller remains in this state while JTMS is LOW. A rising edge on JTCLK with JTMS HIGH puts the controller in the Exit2-DR state.

Exit2-DR. A rising edge on JTCLK with JTMS HIGH while in this state puts the controller in the Update-DR state and terminates the scanning process. A rising edge on JTCLK with JTMS LOW enters the Shift-DR state.

Update-DR. A falling edge on JTCLK while in the Update-DR state latches the data from the shift register path of the test registers into the data output latches. This prevents changes at the parallel output because of changes in the shift register.

Select-IR-Scan. All test registers retain their previous state. The instruction register remains unchanged during this state. With JTMS LOW, a rising edge on JTCLK moves the controller into the Capture-IR state and initiates a scan sequence for the instruction register. JTMS HIGH during a rising edge on JTCLK puts the controller back into the Test-Logic-Reset state.

Capture-IR. The Capture-IR state is used to load the shift register in the instruction register with a fixed value. This value is loaded on the rising edge of JTCLK. If JTMS is HIGH on the rising edge of JTCLK, the controller enters the Exit1-IR state. If JTMS is LOW on the rising edge of JTCLK, the controller enters the Shift-IR state.

Shift-IR. In this state, the shift register in the instruction register is connected between JTDI and JTDO and shifts data one stage for every rising edge of JTCLK toward the serial output. The parallel register as well as all test registers remains at their previous states. A rising edge on JTCLK with JTMS HIGH moves the controller to the Exit1-IR state. A rising edge on JTCLK with JTMS LOW keeps the controller in the Shift-IR state while moving data one stage through the instruction shift register.

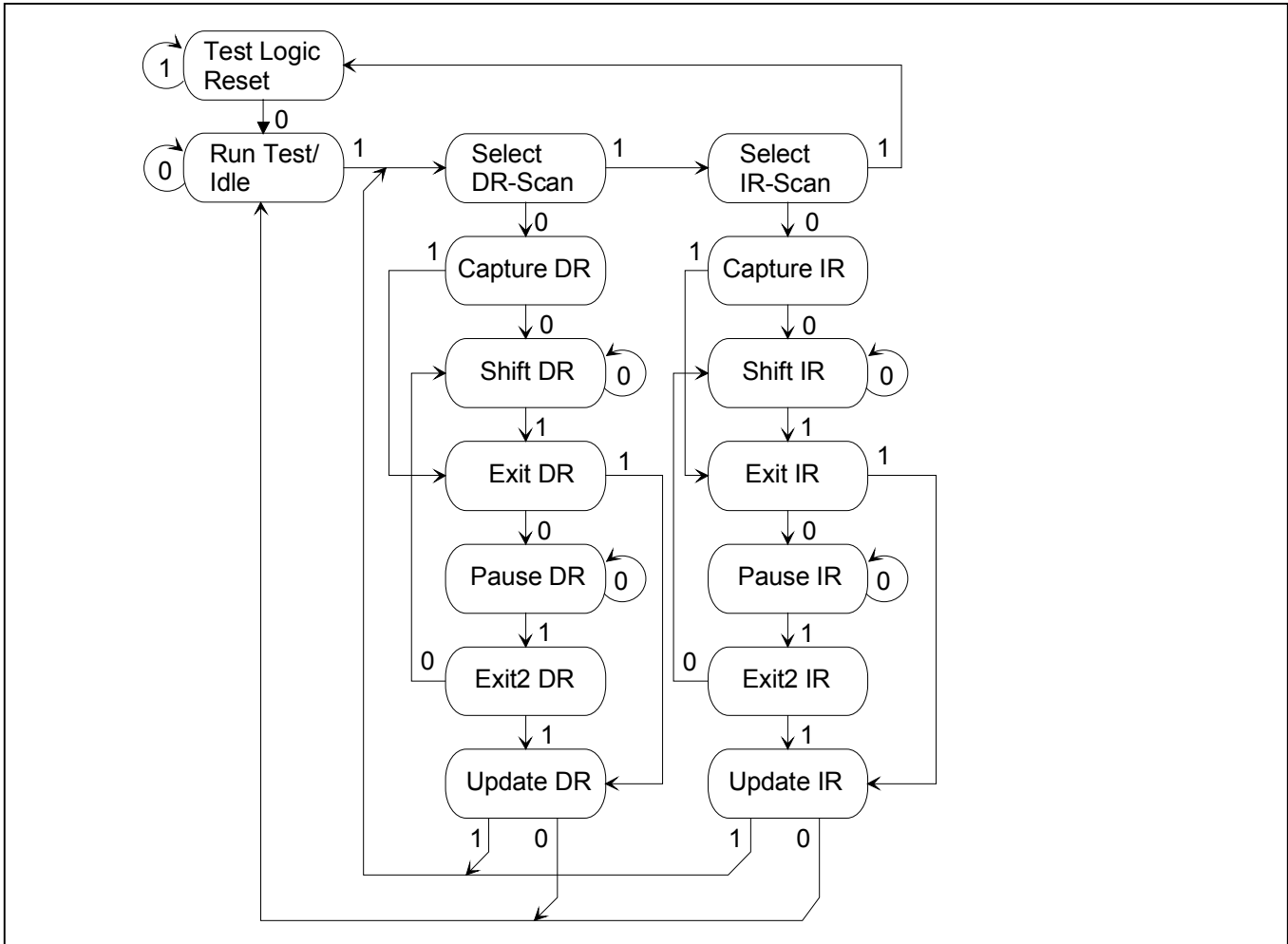
Exit1-IR. A rising edge on JTCLK with JTMS LOW puts the controller in the Pause-IR state. If JTMS is HIGH on the rising edge of JTCLK, the controller enters the Update-IR state and terminates the scanning process.

Pause-IR. Shifting of the instruction shift register is halted temporarily. With JTMS HIGH, a rising edge on JTCLK puts the controller in the Exit2-IR state. The controller remains in the Pause-IR state if JTMS is LOW during a rising edge on JTCLK.

Exit2-IR. A rising edge on JTCLK with JTMS LOW puts the controller in the Update-IR state. The controller loops back to Shift-IR if JTMS is HIGH during a rising edge of JTCLK in this state.

Update-IR. The instruction code shifted into the instruction shift register is latched into the parallel output on the falling edge of JTCLK as the controller enters this state. Once latched, this instruction becomes the current instruction. A rising edge on JTCLK with JTMS LOW puts the controller in the Run-Test-Idle state. With JTMS HIGH, the controller enters the Select-DR-Scan state.

Figure 11-2. TAP Controller State Diagram



11.1 Instruction Register

The instruction register contains a shift register as well as a latched parallel output and is 3 bits in length. When the TAP controller enters the Shift-IR state, the instruction shift register is connected between JTDI and JTDO. While in the Shift-IR state, a rising edge on JTCLK with JTMS LOW shifts the data one stage toward the serial output at JTDO. A rising edge on JTCLK in the Exit1-IR state or the Exit2-IR state with JTMS HIGH moves the controller to the Update-IR state. The falling edge of that same JTCLK latches the data in the instruction shift register to the instruction parallel output. Instructions supported by the DS26102 and its respective operational binary codes are shown in [Table 11-A](#).

Table 11-A. Instruction Codes for IEEE 1149.1 Architecture

INSTRUCTION	SELECTED REGISTER	INSTRUCTION CODES
SAMPLE/PRELOAD	Boundary Scan	010
BYPASS	Bypass	111
EXTEST	Boundary Scan	000
CLAMP	Bypass	011
HIGHZ	Bypass	100
IDCODE	Device Identification	001

SAMPLE/PRELOAD. This is a mandatory instruction for the IEEE 1149.1 specification that supports two functions. The digital I/Os of the device can be sampled at the boundary scan register without interfering with the normal operation of the device by using the Capture-DR state. SAMPLE/PRELOAD also allows the device to shift data into the boundary scan register through JTDI using the Shift-DR state.

BYPASS. When the BYPASS instruction is latched into the parallel instruction register, JTDI connects to JTDO through the 1-bit bypass test register. This allows data to pass from JTDI to JTDO without affecting the device's normal operation.

EXTEST. This instruction allows testing of all interconnections to the device. When the EXTEST instruction is latched in the instruction register, the following actions occur. Once enabled through the Update-IR state, the parallel outputs of all digital output pins are driven. The boundary scan register is connected between JTDI and JTDO. The Capture-DR samples all digital inputs into the boundary scan register.

CLAMP. All digital outputs of the device output data from the boundary scan parallel output while connecting the bypass register between JTDI and JTDO. The outputs do not change during the CLAMP instruction.

HIGHZ. All digital outputs of the device are placed in a high-impedance state. The BYPASS register is connected between JTDI and JTDO.

IDCODE. When the IDCODE instruction is latched into the parallel instruction register, the identification test register is selected. The device identification code is loaded into the identification register on the rising edge of JTCLK following entry into the Capture-DR state. Shift-DR can be used to shift the identification code out serially through JTDO. During Test-Logic-Reset, the identification code is forced into the instruction register's parallel output. The ID code always has a 1 in the LSB position. The next 11 bits identify the manufacturer's JEDEC number and number of continuation bytes followed by 16 bits for the device and 4 bits for the version.

Table 11-B. ID Code Structure

MSB			LSB (Must be 1)
Version—Contact Factory	Device ID	JEDEC	1
4 Bits	See Table 11-C	00010100001	1

Table 11-C. Device ID Codes

PART	ID CODE
DS26102	0000000000100111

11.2 Test Registers

IEEE 1149.1 requires a minimum of two test registers—the bypass register and the boundary scan register. An optional test register, the identification register, has been included with the DS26102 design. It is used in conjunction with the IDCODE instruction and the Test-Logic-Reset state of the TAP controller.

Bypass Register. This is a single one-bit shift register used in conjunction with the BYPASS, CLAMP, and HIGHZ instructions. It provides a short path between JTDI and JTDO.

Boundary Scan Register. This register contains both a shift register path and a latched parallel output for all control cells and digital I/O cells. It is n bits in length. See [Table 11-D](#) for the cell bit locations and definitions.

Identification Register. The identification register contains a 32-bit shift register and a 32-bit latched parallel output. This register is selected during the IDCODE instruction and when the TAP controller is in the Test-Logic-Reset state.

Table 11-D. Boundary Scan Control Bits

CELL	NAME	TYPE	CONTROL CELL
0	—	controlr	
1	TFP13	output3	0
2	TFP13	observe_only	
3	TCLK13	observe_only	
4	TDATA13	output3	161
5	—	controlr	
6	TFP12	output3	5
7	TFP12	observe_only	
8	TCLK12	observe_only	
9	TDATA12	output3	161
10	—	controlr	
11	TFP11	output3	10
12	TFP11	observe_only	
13	TCLK11	observe_only	
14	TDATA11	output3	161
15	—	controlr	
16	TFP10	output3	15
17	TFP10	observe_only	
18	TCLK10	observe_only	
19	TDATA10	output3	161
20	—	controlr	
21	TFP9	output3	20
22	TFP9	observe_only	
23	TCLK9	observe_only	
24	TDATA9	output3	161
25	—	controlr	
26	TFP8	output3	25
27	TFP8	observe_only	
28	TCLK8	observe_only	
29	TDATA8	output3	161
30	RFP15	observe_only	
31	RCLK15	observe_only	
32	RDATA15	observe_only	
33	RFP14	observe_only	
34	RCLK14	observe_only	
35	RDATA14	observe_only	
36	RFP13	observe_only	
37	RCLK13	observe_only	
38	RDATA13	observe_only	
39	RFP12	observe_only	
40	RCLK12	observe_only	
41	RDATA12	observe_only	
42	RFP11	observe_only	
43	RCLK11	observe_only	
44	RDATA11	observe_only	
45	RFP10	observe_only	
46	RCLK10	observe_only	
47	RDATA10	observe_only	
48	RFP9	observe_only	
49	RCLK9	observe_only	
50	RDATA9	observe_only	
51	RFP8	observe_only	
52	RCLK8	observe_only	
53	RDATA8	observe_only	
54	RLCD15	output3	161
55	RLCD14	output3	161
56	RLCD13	output3	161
57	RLCD12	output3	161
58	RLCD11	output3	161
59	RLCD10	output3	161
60	RLCD9	output3	161
61	RLCD8	output3	161
62	RLCD7	output3	161
63	RLCD6	output3	161
64	RLCD5	output3	161
65	RLCD4	output3	161
66	RLCD3	output3	161
67	RLCD2	output3	161
68	RLCD1	output3	161
69	RLCD0	output3	161
70	UR_PAR	output3	77
71	UR_CLAV3	output3	73
72	UR_CLAV2	output3	73
73	—	controlr	
74	UR_CLAV1	output3	73
75	—	controlr	
76	UR_CLAV0	output3	75
77	—	controlr	
78	UR_SOC	output3	77
79	UR_DATA0	output3	86
80	UR_DATA1	output3	86
81	UR_DATA2	output3	86

CELL	NAME	TYPE	CONTROL CELL
82	UR_DATA3	output3	86
83	UR_DATA4	output3	86
84	UR_DATA5	output3	86
85	UR_DATA6	output3	86
86	—	controlr	
87	UR_DATA7	output3	86
88	UR_CLK	observe_only	
89	UR_ENB	observe_only	
90	UR_ADDR0	observe_only	
91	UR_ADDR1	observe_only	
92	UR_ADDR2	observe_only	
93	UR_ADDR3	observe_only	
94	UR_ADDR4	observe_only	
95	UT_2CLAV3	output3	100
96	UT_2CLAV2	output3	100
97	UT_2CLAV1	output3	100
98	UT_CLAV3	output3	100
99	UT_CLAV2	output3	100
100	—	controlr	
101	UT_CLAV1	output3	100
102	UT_2CLAV0	output3	103
103	—	controlr	
104	UT_CLAV0	output3	103
105	UT_PAR	observe_only	
106	UT_CLK	observe_only	
107	UT_SOC	observe_only	
108	UT_DATA0	observe_only	
109	UT_DATA1	observe_only	
110	UT_DATA2	observe_only	
111	UT_DATA3	observe_only	
112	UT_DATA4	observe_only	
113	UT_DATA5	observe_only	
114	UT_DATA6	observe_only	
115	UT_DATA7	observe_only	
116	UT_ENB	observe_only	
117	UT_ADDR0	observe_only	
118	UT_ADDR1	observe_only	
119	UT_ADDR2	observe_only	
120	UT_ADDR3	observe_only	
121	UT_ADDR4	observe_only	
122	—	controlr	
123	TFP7	output3	122
124	TFP7	observe_only	
125	TCLK7	observe_only	
126	TDATA7	output3	161
127	—	controlr	
128	TFP6	output3	127
129	TFP6	observe_only	
130	TCLK6	observe_only	
131	TDATA6	output3	161
132	—	controlr	
133	TFP5	output3	132
134	TFP5	observe_only	
135	TCLK5	observe_only	
136	TDATA5	output3	161
137	—	controlr	
138	TFP4	output3	137
139	TFP4	observe_only	
140	TCLK4	observe_only	

CELL	NAME	TYPE	CONTROL CELL
141	TDATA4	output3	161
142	—	controlr	
143	TFP3	output3	142
144	TFP3	observe_only	
145	TCLK3	observe_only	
146	TDATA3	output3	161
147	—	controlr	
148	TFP2	output3	147
149	TFP2	observe_only	
150	TCLK2	observe_only	
151	TDATA2	output3	161
152	—	controlr	
153	TFP1	output3	152
154	TFP1	observe_only	
155	TCLK1	observe_only	
156	TDATA1	output3	161
157	—	controlr	
158	TFP0	output3	157
159	TFP0	observe_only	
160	TCLK0	observe_only	
161	—	controlr	
162	TDATA0	output3	161
163	RFP7	observe_only	
164	RCLK7	observe_only	
165	RDATA7	observe_only	
166	RFP6	observe_only	
167	RCLK6	observe_only	
168	RDATA6	observe_only	
169	RFP5	observe_only	
170	RCLK5	observe_only	
171	RDATA5	observe_only	
172	RFP4	observe_only	
173	RCLK4	observe_only	
174	RDATA4	observe_only	
175	RFP3	observe_only	
176	RCLK3	observe_only	
177	RDATA3	observe_only	
178	RFP2	observe_only	
179	RCLK2	observe_only	
180	RDATA2	observe_only	
181	RFP1	observe_only	
182	RCLK1	observe_only	
183	RDATA1	observe_only	
184	RFP0	observe_only	
185	RCLK0	observe_only	
186	RDATA0	observe_only	
187	$\overline{\text{INT}}$	output2	187
188	—	internal	
189	$\overline{\text{INT}}$	observe_only	
190	BLS0	observe_only	
191	MUX	observe_only	
192	BTS	observe_only	
193	$\overline{\text{CS}}$	observe_only	
194	$\overline{\text{WR}}$ (R/W)	observe_only	
195	$\overline{\text{RD}}$ (DS)	observe_only	
196	D0/AD0	output3	210
197	D0/AD0	observe_only	
198	D1/AD1	output3	210
199	D1/AD1	observe_only	

CELL	NAME	TYPE	CONTROL CELL
200	D2/AD2	output3	210
201	D2/AD2	observe_only	
202	D3/AD3	output3	210
203	D3/AD3	observe_only	
204	D4/AD4	output3	210
205	D4/AD4	observe_only	
206	D5/AD5	output3	210
207	D5/AD5	observe_only	
208	D6/AD6	output3	210
209	D6/AD6	observe_only	
210	—	controlr	
211	D7/AD7	output3	210
212	D7/AD7	observe_only	
213	A0	observe_only	
214	A1	observe_only	
215	A2	observe_only	
216	A3	observe_only	
217	A4	observe_only	
218	A5	observe_only	
219	A6	observe_only	
220	A7/ALE (AS)	observe_only	
221	EXSTAT7	observe_only	
222	EXSTAT6	observe_only	

CELL	NAME	TYPE	CONTROL CELL
223	EXSTAT5	observe_only	
224	EXSTAT4	observe_only	
225	EXSTAT3	observe_only	
226	EXSTAT2	observe_only	
227	EXSTAT1	observe_only	
228	EXSTAT0	observe_only	
229	1SECOUT	output3	161
230	8KHZIN	observe_only	
231	GCLKIN	observe_only	
232	GCLKOUT	output3	161
233	REFCLKIN	observe_only	
234	RESET	observe_only	
235	—	controlr	
236	TFP15	output3	235
237	TFP15	observe_only	
238	TCLK15	observe_only	
239	TDATA15	output3	161
240	—	controlr	
241	TFP14	output3	240
242	TFP14	observe_only	
243	TCLK14	observe_only	
244	TDATA14	output3	161

12. OPERATING PARAMETERS

ABSOLUTE MAXIMUM RATINGS

Voltage Range on Any Pin with Respect to V_{SS} (except V_{DD})	-0.3V to +5.5V
Supply Voltage (V_{DD}) Range with Respect to V_{SS}	-0.3V to +3.63V
Operating Temperature Range	-40°C to +85°C
Storage Temperature Range	-55°C to +125°C
Soldering Temperature	See IPC/JEDEC J-STD-020A

Stresses beyond those listed under "Absolute Maximum Ratings" may cause permanent damage to the device. These are stress ratings only, and functional operation of the device at these or any other conditions beyond those indicated in the operational sections of the specifications is not implied. Exposure to the absolute maximum rating conditions for extended periods may affect device.

RECOMMENDED DC OPERATING CONDITIONS

($T_A = -40^\circ\text{C}$ to $+85^\circ\text{C}$)

PARAMETER	SYMBOL	MIN	TYP	MAX	UNITS
Logic 1	V_{IH}	2.0		5.5	V
Logic 0	V_{IL}	-0.3		+0.8	V
Supply	V_{DD}	3.135	3.3	3.465	V

CAPACITANCE

($T_A = +25^\circ\text{C}$)

PARAMETER	SYMBOL	MIN	TYP	MAX	UNITS
Input Capacitance	C_{IN}		7		pF
Output Capacitance	C_{OUT}		7		pF

DC CHARACTERISTICS

($V_{DD} = 3.135\text{V}$ to 3.465V , $T_A = -40^\circ\text{C}$ to $+85^\circ\text{C}$.)

PARAMETER	SYMBOL	MIN	TYP	MAX	UNITS
Supply Current at 3.3V (Note 2)	I_{DD}		85		mA
Input Leakage	I_{IL}	-10.0		+10.0	μA
Tri-State Output Leakage	I_{OL}	-10.0		+10.0	μA
Output Voltage ($I_o = -4.0\text{mA}$) (Note 3)	V_{OH}	2.4			V
Output Voltage ($I_o = +4.0\text{mA}$) (Note 3)	V_{OL}			0.4	V
UTOPIA V_{OH} ($I_o = -8.0\text{mA}$) (Note 4)	V_{OHU}	2.4			V
UTOPIA V_{OL} ($I_o = +8.0\text{mA}$) (Note 4)	V_{OLU}			0.4	V

Note 1: Theta-Ja is based on the package mounted on a 4-layer JEDEC board and measured in a JEDEC test chamber.

Note 2: RCLK1 - n = TCLK1 - n = 2.048MHz, GCLK = 32.768MHz.

Note 3: Applies to all non-UTOPIA outputs.

Note 4: Applies to UTOPIA outputs.

13. CRITICAL TIMING INFORMATION

Unless otherwise noted, all timing numbers assume 20pF test load on output signals, 40pF test load on bus signals.

Table 13-A. AC Characteristics—Multiplexed Parallel Port (MUX = 1)

($V_{DD} = 3.3V \pm 5\%$, $T_A = -40^\circ C$ to $+85^\circ C$.) (Figure 13-1, Figure 13-2, and Figure 13-3)

PARAMETER	SYMBOL	MIN	TYP	MAX	UNITS
Cycle Time	t_{CYC}	200			ns
Pulse Width, DS Low or \overline{RD} High	PW_{EL}	100			ns
Pulse Width, DS High or \overline{RD} Low	PW_{EH}	100			ns
Input Rise/Fall Times	t_R, t_F			20	ns
$\overline{R}/\overline{W}$ Hold Time	t_{RWH}	10			ns
$\overline{R}/\overline{W}$ Setup Time Before DS High	t_{RWS}	50			ns
\overline{CS} Setup Time Before DS, \overline{WR} , or \overline{RD} Active	t_{CS}	20			ns
\overline{CS} Hold Time	t_{CH}	0			ns
Read Data Hold Time	t_{DHR}	10		50	ns
Write Data Hold Time	t_{DHW}	5			ns
Muxed Address Valid to AS or ALE Fall	t_{ASL}	15			ns
Muxed Address Hold Time	t_{AHL}	10			ns
Delay Time DS, \overline{WR} , or \overline{RD} to AS or ALE Rise	t_{ASD}	20			ns
Pulse Width AS or ALE High	PW_{ASH}	30			ns
Delay Time, AS or ALE to DS, \overline{WR} , or \overline{RD}	t_{ASED}	10			ns
Output Data Delay Time from DS or \overline{RD}	t_{DDR}			80	ns
Data Setup Time	t_{DSW}	50			ns

Figure 13-1. Intel Bus Read Timing (BTS = 0/MUX = 1)

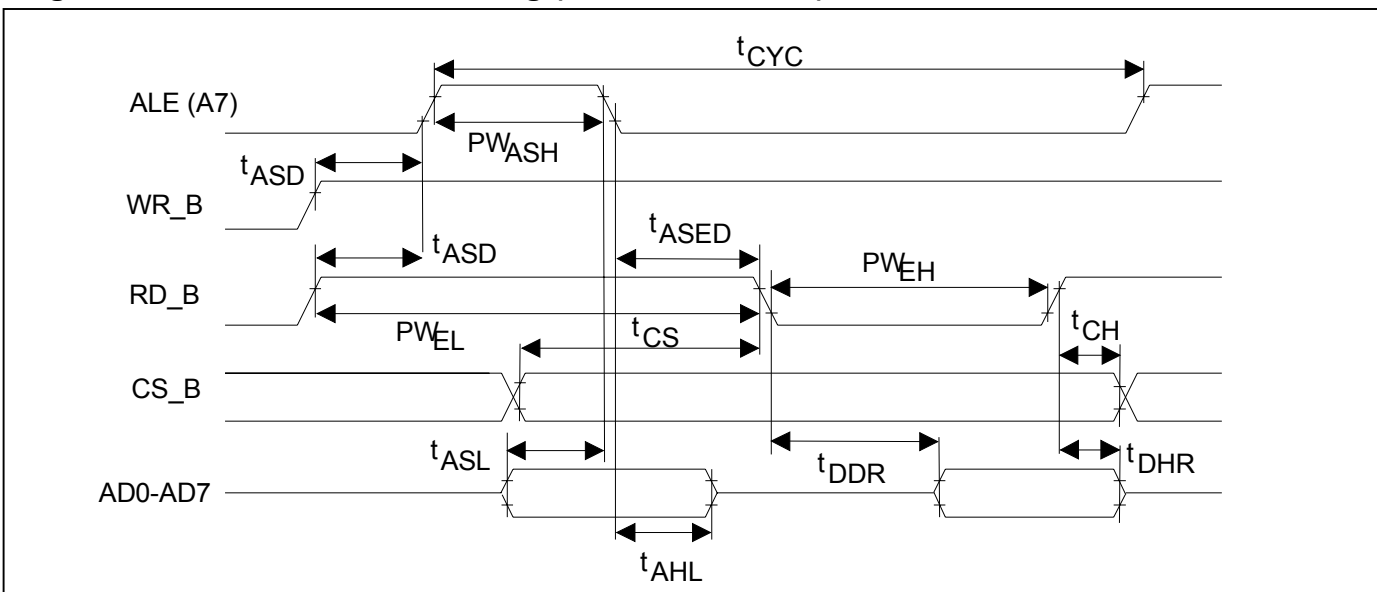


Figure 13-2. Intel Bus Write Timing (BTS = 0/MUX = 1)

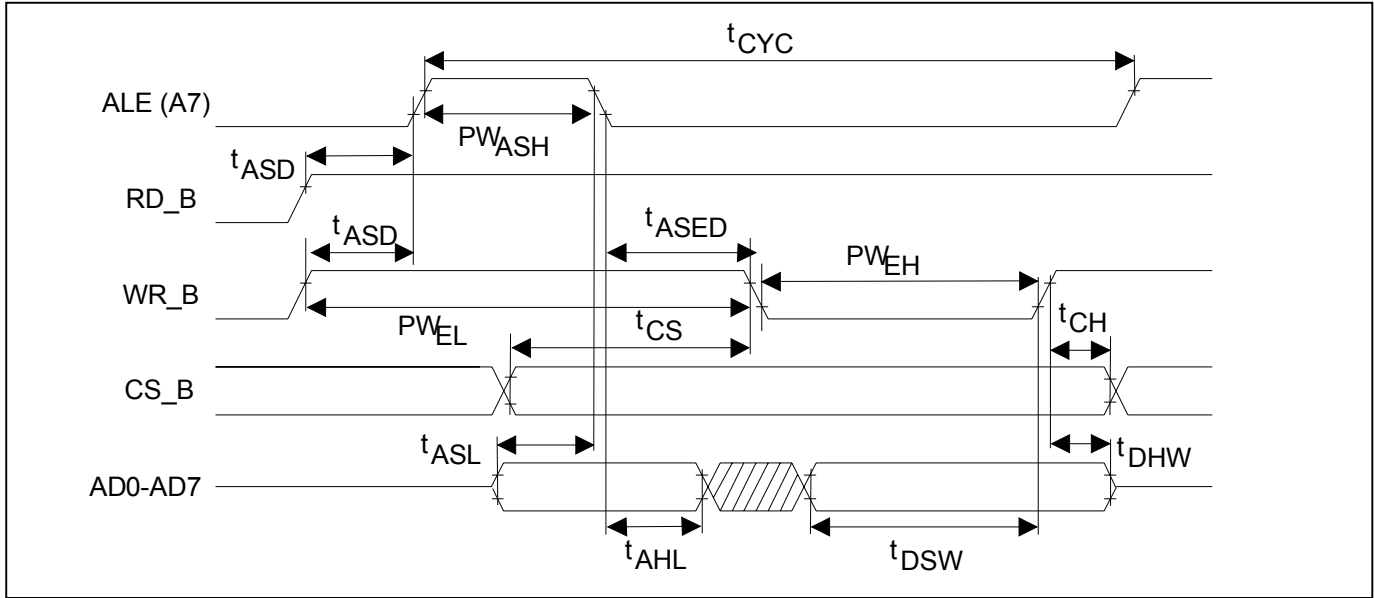


Figure 13-3. Motorola Bus Timing (BTS = 1/MUX = 1)

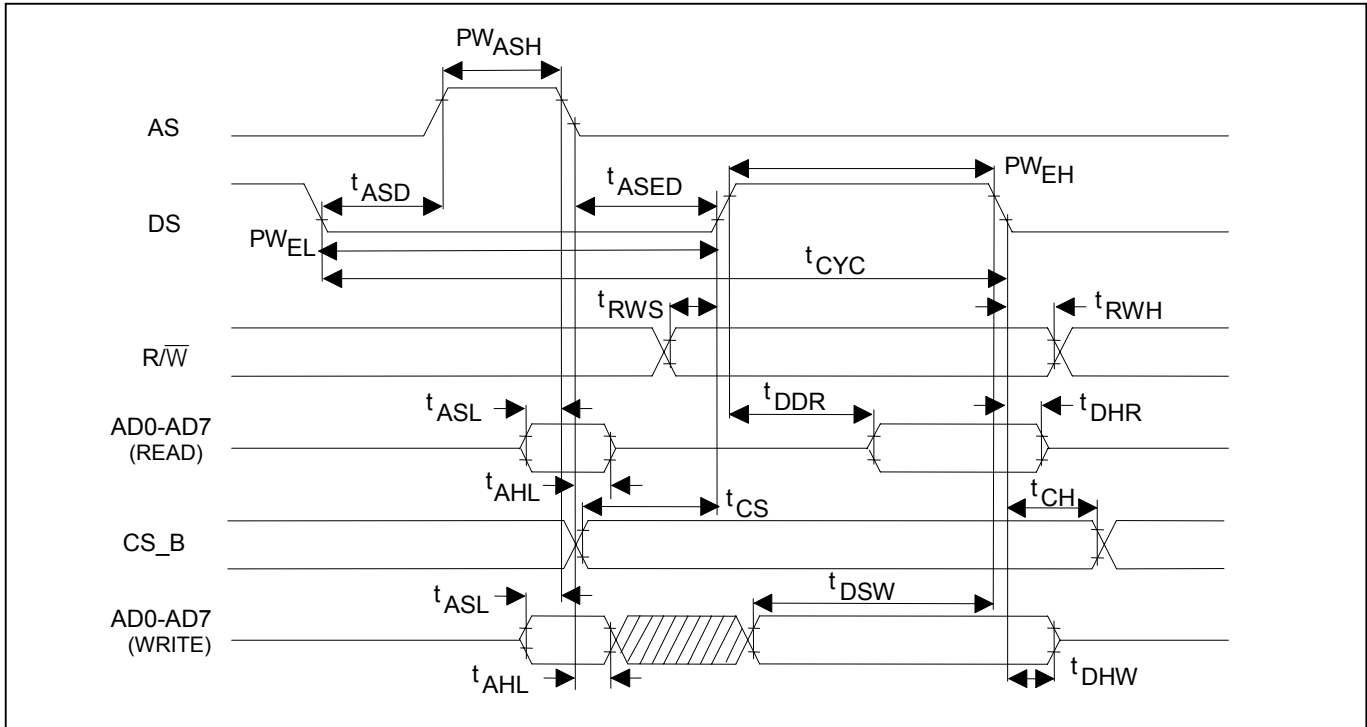


Table 13-B. AC Characteristics—Nonmultiplexed Parallel Port (MUX = 1)(V_{DD} = 3.3V ±5%, T_A = -40°C to +85°C.) (Figure 13-4 through Figure 13-7)

PARAMETER	SYMBOL	MIN	TYP	MAX	UNITS
Setup Time for A[7:0], BLS0 Valid to \overline{CS} Active	t1	0			ns
Setup Time for \overline{CS} Active to Either \overline{RD} or \overline{WR} Active	t2	0			ns
Delay Time from Either \overline{RD} or \overline{DS} Active to D/AD[7:0] Valid	t3			130	ns
Hold Time from Either \overline{RD} or \overline{WR} Inactive to \overline{CS} Inactive	t4	0			ns
Hold Time from \overline{CS} or \overline{RD} or \overline{DS} Inactive to D/AD[7:0] Tri-State	t5	5		25	ns
Wait Time from \overline{WR} Active to Latch Data	t6	30			ns
Data Setup Time to \overline{WR} Inactive	t7	10			ns
Data Hold Time from \overline{WR} Inactive	t8	2			ns
Address, BLS0 Hold from \overline{WR} Inactive	t9				ns
Write Access to Subsequent Write/Read Access Delay Time (Note 1)	t10	5 x GCLK			ns

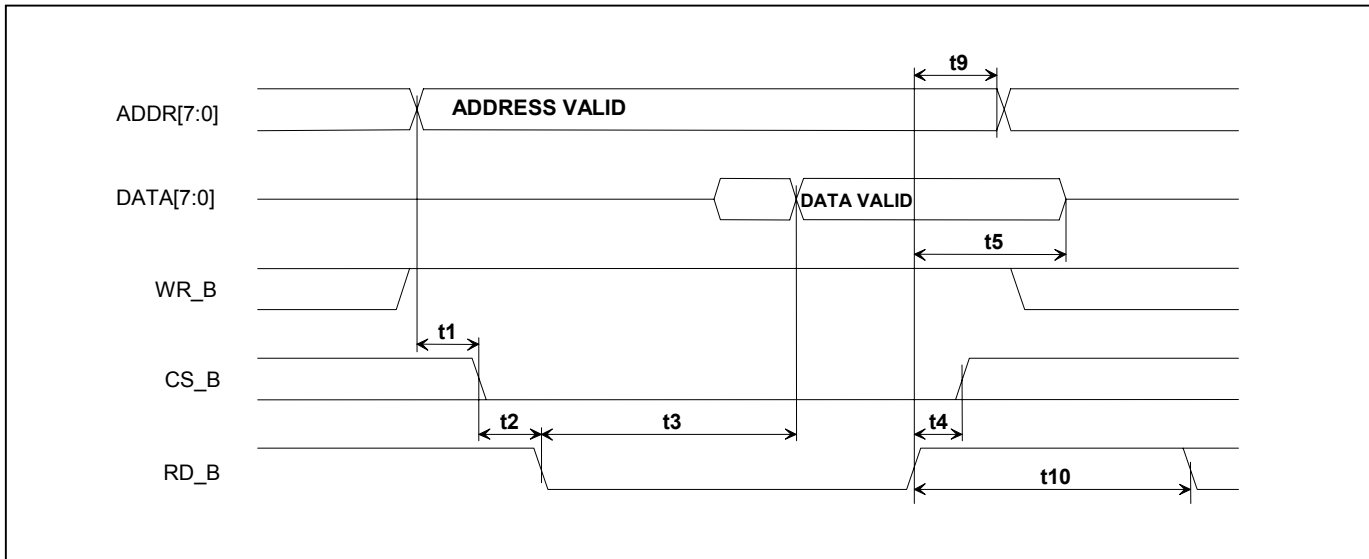
Note 1: Time t10 should be minimum 5 x the GCLKIN period. For a GCLKIN = 33MHz, t10 = 150ns.**Note 2:** Interrupt is deasserted at 5 x GCLKIN period + 40ns maximum from RD active.**Figure 13-4. Intel Bus Read Timing (BTS = 0/MUX = 0)**

Figure 13-5. Intel Bus Write Timing (BTS = 0/MUX = 0)

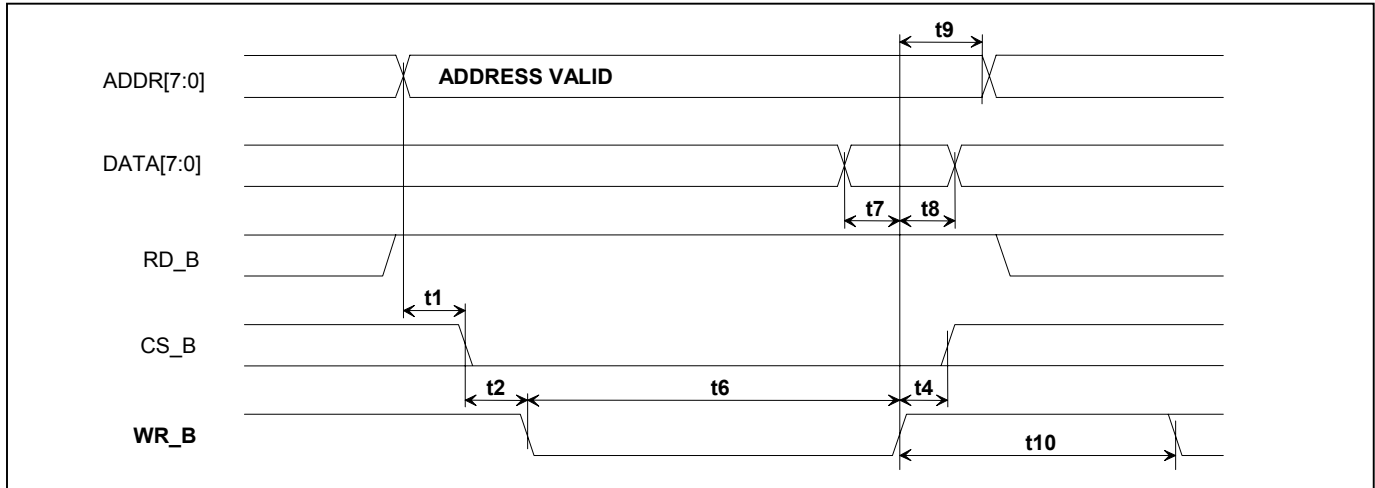


Figure 13-6. Motorola Bus Read Timing (BTS = 1/MUX = 0)

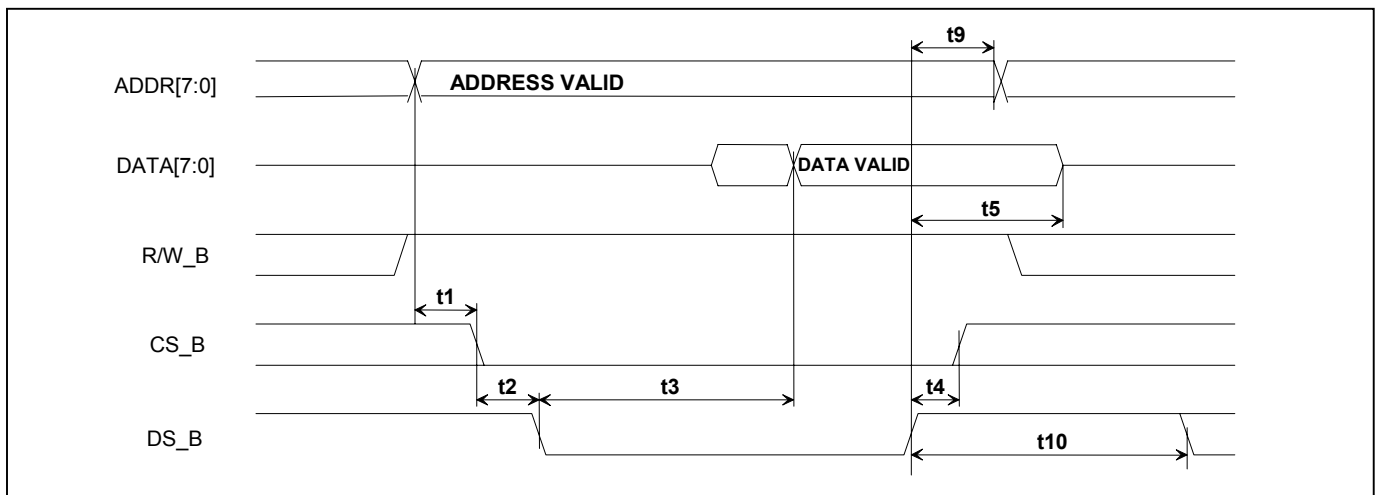


Figure 13-7. Motorola Bus Write Timing (BTS = 1/MUX = 0)

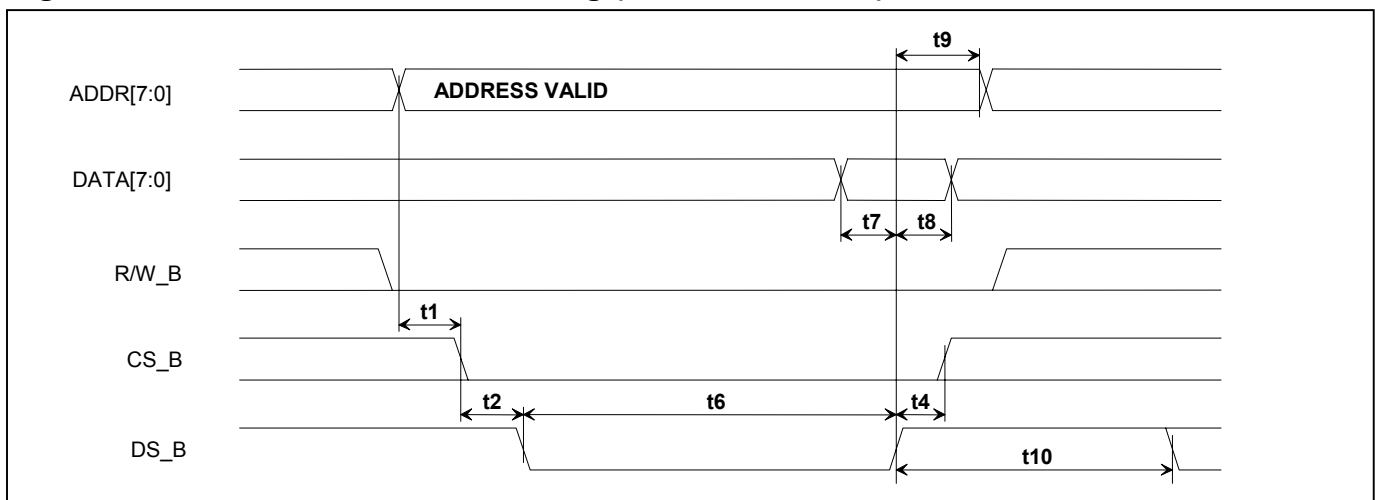


Table 13-C. Framer Interface AC Characteristics

PARAMETER	SYMBOL	MIN	TYP	MAX	UNITS
RCLK Duty Cycle		30		70	%
RDATA and RFP Setup to RCLK Active Edge	t11	10			ns
RDATA and RFP Hold from RCLK Active Edge	t12	2			ns
TCLK Duty Cycle		30		70	%
Output Delay TDATA and TFP from TCLK Active Edge (Note 3)	t13			20	ns
TFP Setup Time to TCLK Active Edge (Note 4)	t14	10			ns
TFP Hold Time from TCLK Active Edge (Note 4)	t15	10			ns

Note 3: TFP is an output.

Note 4: TFP is an input.

Table 13-D. UTOPIA Transmit AC Characteristics

PARAMETER	SYMBOL	MIN	TYP	MAX	UNITS
UT_CLK Frequency		0		25	MHz
UT_CLK Duty Cycle		40		60	%
Setup Time UT_DATA[x], UT_ADDR[x], $\overline{UT_ENB}$, UT_SOC, UT_PAR inputs to UT_CLK	t20 (ts)	10			ns
Hold Time UT_DATA[x], UT_ADDR[x], $\overline{UT_ENB}$, UT_SOC, UT_PAR Inputs from UT_CLK	t21 (th)	1			ns
Output Delay UT_CLAV[x] from UT_CLK	t22 (td)			20	ns
Output Tri-State Delay UT_CLAV[x] from UT_CLK	t23 (tz)			25	ns

Table 13-E. UTOPIA Receive AC Characteristics

PARAMETER	SYMBOL	MIN	TYP	MAX	UNITS
UR_CLK Frequency		0		25	MHz
UR_CLK Duty Cycle		40		60	%
Setup Time UR_ADDR[x] and $\overline{UR_ENB}$ Inputs to UR_CLK	t24 (ts)	10			ns
Hold Time UR_ADDR[x] and $\overline{UR_ENB}$ Inputs from UR_CLK	t25 (th)	1			ns
Output Delay UR_CLAV[x], UR_DATA[x], UR_SOC, and UR_PAR from UR_CLK	t26 (td)			20	ns
Output Tri-State Delay UR_CLAV[x], UR_DATA[x], UR_SOC, and UR_PAR from UR_CLK	t27 (tz)			25	ns

Figure 13-8. Setup/Hold Time Definition

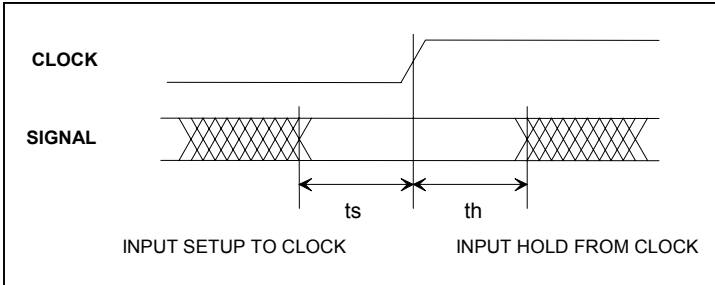


Figure 13-9. Delay Time Definition

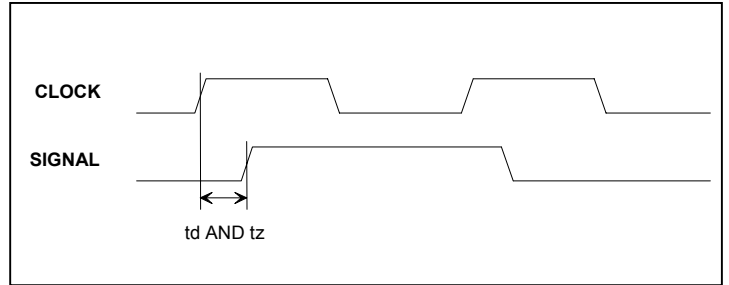


Table 13-F. JTAG Interface Timing

($V_{DD} = 3.3V \pm 5\%$, $T_A = -40^{\circ}C$ to $+85^{\circ}C$.) (Figure 13-10)

PARAMETER	SYMBOL	MIN	TYP	MAX	UNITS
JTCLK Clock Period	t1		1000		ns
JTCLK Clock High/Low Time (Note 5)	t2/t3	50	500		ns
JTCLK to JTDI, JTMS Setup Time	t4	3			ns
JTCLK to JTDI, JTMS Hold Time	t5	2			ns
JTCLK to JTDO Delay	t6	2		50	ns
JTCLK to JTDO High-Z Delay	t7	2		50	ns
\overline{JTRST} Width Low Time	t8	100			ns

Note 5: Clock can be stopped high or low.

Figure 13-10. JTAG Interface Timing Diagram

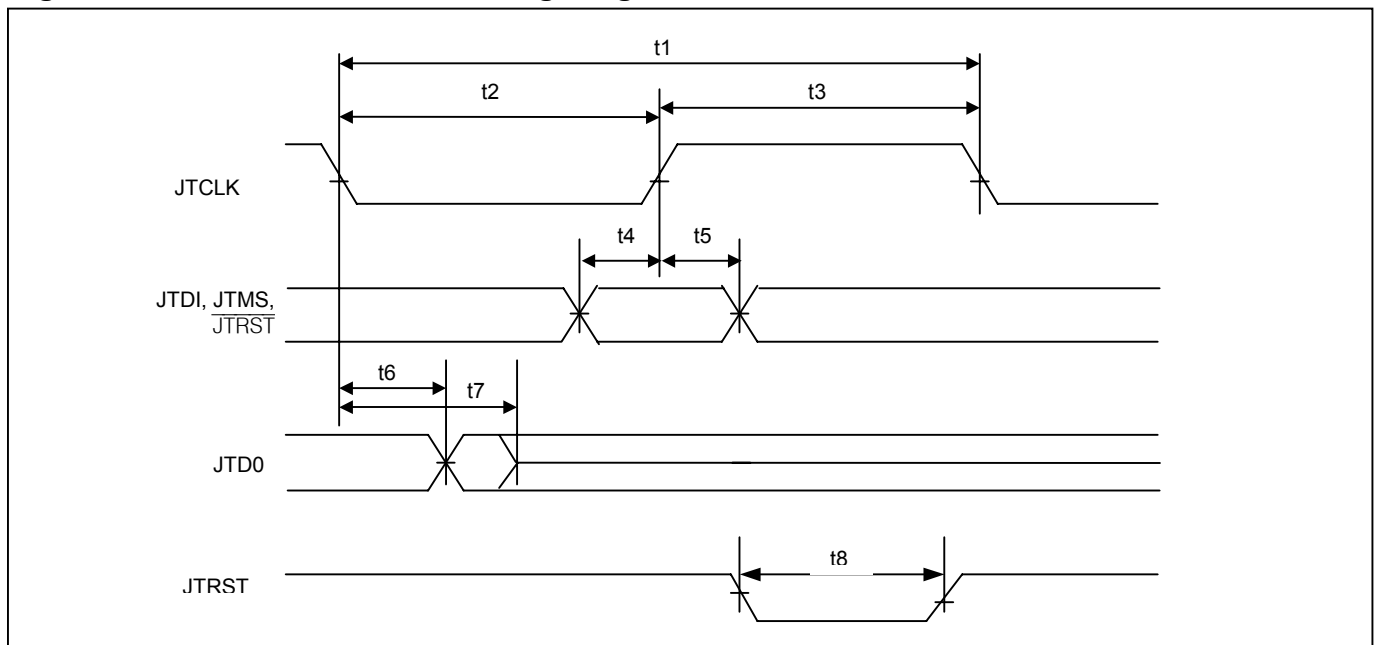


Table 13-G. System Clock AC Characteristics

PARAMETER	SYMBOL	CONDITIONS	MIN	TYP	MAX	UNITS
REFCLKIN Frequency			1.544			MHz
			2.048			
REFCLKIN Duty Cycle			40		60	%
GCLK Frequency		(Note 6)	16		40	MHz
GCLK Duty Cycle			40		60	%

Note 6: GCLK frequency must be at least 10 times the line rate (either 1.544MHz or 2.048MHz).

14. THERMAL INFORMATION

Table 14-A. Thermal Properties, Natural Convection

PARAMETER	SYMBOL	CONDITIONS	MIN	TYP	MAX	UNITS
Ambient Temperature		(Note 1)	-40°C		+85°C	
Junction Temperature			-40°C		+125°C	
Theta-JA (θ_{JA}), Still Air		(Note 2)	20.27°C/W			
Psi-JB			8.27°C/W			
Psi-JT			0.24°C/W			

Note 1: The package is mounted on a 4-layer JEDEC standard test board with no airflow and dissipating maximum power.

Note 2: Theta-JA (θ_{JA}) is the junction to ambient thermal resistance, when the package is mounted on a 4-layer JEDEC standard test board with no airflow and dissipating maximum power.

Table 14-B. Theta-JA (θ_{JA}) vs. Airflow

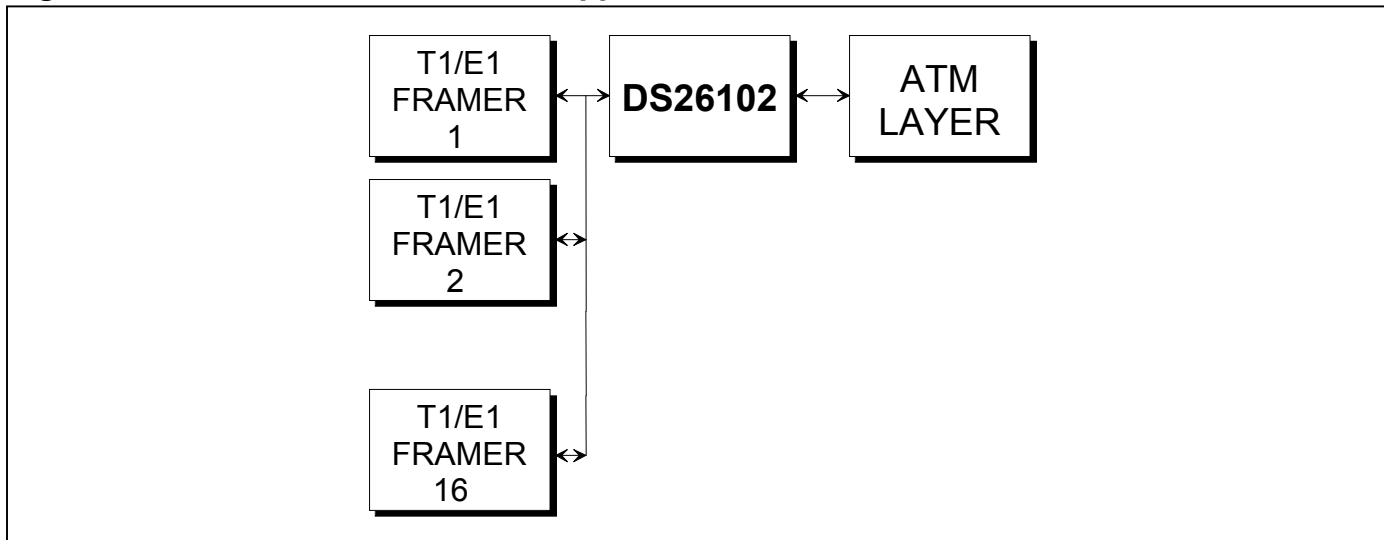
FORCED AIR (m/s)	THETA-JA (θ_{JA})
0	20.27°C/W
1	17.44°C/W
2.5	16.18°C/W

15. APPLICATIONS INFORMATION

15.1 Application in ATM User-Network Interfaces

[Figure 15-1](#) shows the application of the DS26102 in an ATM user-network interface (UNI). In a UNI, the DS26102 provides the transmission convergence sublayer functionality. The interface between the DS26102 and the ATM layer is governed by UTOPIA II specification from the ATM forum. Multiplexing with 1CLAV can be used as UTOPIA polling mode. The DS26102 supports up to 16 T1/E1 ports. For cell-rate decoupling, 4-cell buffer is allocated per port separately in the transmit and receive interfaces with the ATM layer. The buffer size of the transmit FIFO is configurable to 2, 3, or 4 cells. This flexibility in changing the FIFO depth provides users the control over cell latency, if desired.

Figure 15-1. User-Network Interface Application



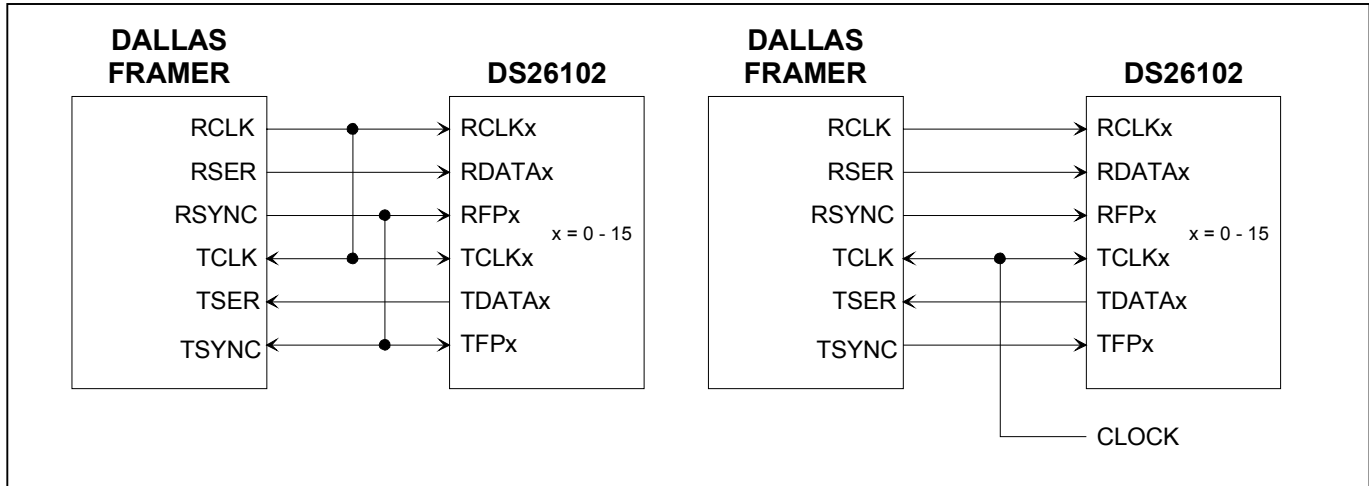
15.2 Interfacing with Framers

[Figure 15-2](#) shows two methods of interfacing the DS26102 to a Dallas framer. One method shows a “loop timing” method where TCLK, TSYNC/TFPx, RFPx, and RCLK are derived from the receive framer’s RCLK and RSYNC. The other method shows an interface where transmit and receive are independent.

The following guidelines are suggested:

- TCLK may be derived from RCLK. TCLK must be 1.544MHz for T1 and 2.048MHz for E1.
- The framer elastic stores should be disabled on both transmit and receive sides.
- RSYNC must be configured as a frame-boundary output.
- The framer TSYNC can be an input or an output (the DS26102 must be programmed accordingly). TSYNC should be configured for frame-boundary mode.
- The TSYNC and RSYNC signals should be high for only one TCLK and RCLK period, respectively.

Figure 15-2. DS26102 Interfacing with Dallas Framer in Framing-Pulse Mode



When interfacing to framers where the framing pulse and data-active edge are individually configurable, ensure that the sampling and updating happen in opposite edges. [Table 15-A](#) demonstrates the recommended configurations for interfacing the DS26102 to the framer signals.

Table 15-A. Suggested Clock Edge Configurations

DATA UPDATE EDGE IN DS26102	DATA-SAMPLING EDGE IN FRAMER	FRAMING-PULSE DIRECTION	FRAMING-PULSE EDGE IN FRAMER
Positive	Negative	From DS26102 to framer	Negative for sampling
Negative	Positive	From DS26102 to framer	Positive for sampling
Positive	Negative	From framer to DS26102	Positive for updating
Negative	Positive	From framer to DS26102	Negative for updating

15.3 Fractional T1/E1 Support

[Table 15-B](#) describes the configuration needed by the DS26102 for supporting fractional T1/E1. Note that in E1 mode, the DS26102 must be used in gapped-clock mode, where the clock is gapped during inactive channels as well as TS0 and TS16 for CAS-framed format. When configured for T1, either frame-pulse or gapped-clock mode can be used, however, the TFP and RFP signals must be generated during framing overhead-bit and nonactive-DS0/TS positions of the T1 frame. Older Dallas framers may require additional logic to implement gapped-clock operation.

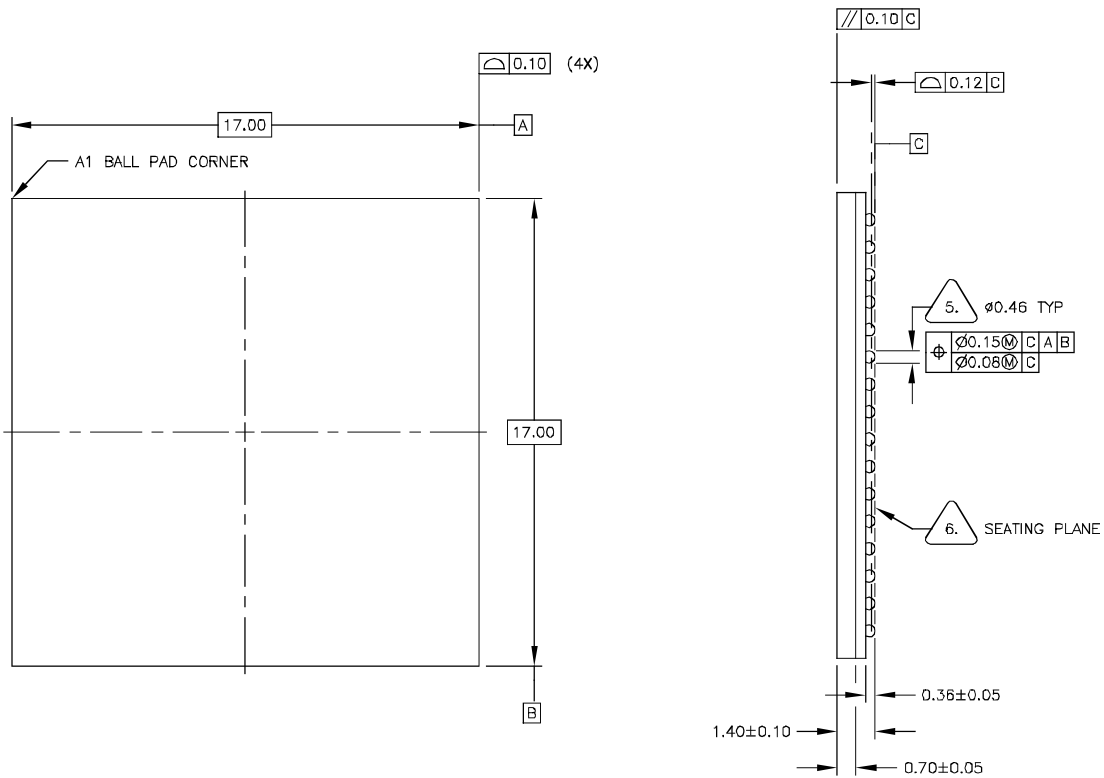
Table 15-B. Fractional T1/E1 Register Settings

CONTROL REGISTER BIT	T1	E1
TPC	0	1
TPLIM	0 for frame-pulse mode or 1 for gapped-clock mode	1 (gapped-clock mode only)
TFSD	0 (input only)	0 for TFP as input or 1 for TFP as output
RPC	0	1
RPLIM	0 for frame-pulse mode or 1 for gapped-clock mode	1 (gapped-clock mode only)

16. PACKAGE INFORMATION

(The package drawing(s) in this data sheet may not reflect the most current specifications. For the latest package outline information, go to www.maxim-ic.com/DallasPackInfo.)

Note: All dimensions in millimeters.



7. REFERENCE SPECIFICATIONS:
 A. AAWW SPEC #001-0531-2234: PACKING OPERATION PROCEDURE.
 B. AAWW SPEC #001-0519-2062: MARKING.



6. PRIMARY DATUM C AND SEATING PLANE ARE DEFINED BY THE SPHERICAL CROWNS OF THE SOLDER BALLS.



5. DIMENSION IS MEASURED AT THE MAXIMUM SOLDER BALL DIAMETER, PARALLEL TO PRIMARY DATUM C.

4. THE MAXIMUM ALLOWABLE NUMBER OF SOLDER BALLS IS 256.
 3. THE MAXIMUM SOLDER BALL MATRIX SIZE IS 16 X 16.
 2. THE BASIC SOLDER BALL GRID PITCH IS 1.00mm.
 1. ALL DIMENSIONS AND TOLERANCES CONFORM TO ASME Y14.5M-1994.

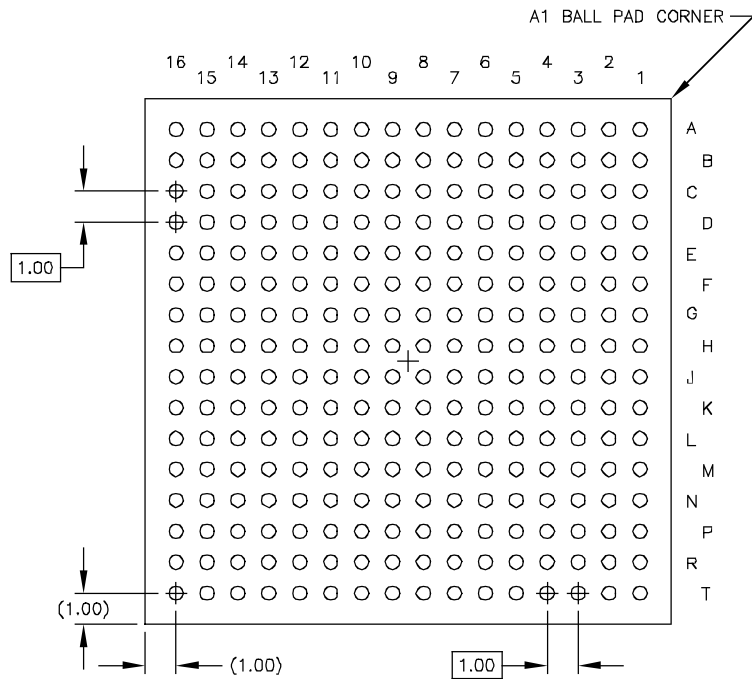
NOTES: UNLESS OTHERWISE SPECIFIED

PACKAGE INFORMATION (continued)

(The package drawing(s) in this data sheet may not reflect the most current specifications. For the latest package outline information, go to www.maxim-ic.com/DallasPackInfo.)

Bottom Mechanical Dimensions

Note: All dimensions in millimeters.



17. REVISION HISTORY

REVISION	DESCRIPTION
021403	New product release.
032805	Changed title/part description from <i>16-Port TDM-to-ATM PHY</i> to <i>16-Port Transmission Convergence Device</i> .